

Dell™ PowerEdge™
M905, M805, M605, and M600

Getting Started With Your System

Guide de mise en route

Primeiros passos com o sistema

Procedimientos iniciales con el sistema

Dell™ PowerEdge™
M905, M805, M605, and M600

Getting Started With Your System



Notes, Notices, and Cautions



NOTE: A NOTE indicates important information that helps you make better use of your computer.



NOTICE: A NOTICE indicates either potential damage to hardware or loss of data and tells you how to avoid the problem.



CAUTION: A CAUTION indicates a potential for property damage, personal injury, or death.

Information in this document is subject to change without notice.

© 2008 Dell Inc. All rights reserved.

Reproduction in any manner whatsoever without the written permission of Dell Inc. is strictly forbidden.

Trademarks used in this text: *Dell*, the *DELL* logo, and *Dell OpenManage* are trademarks of Dell Inc.; *Microsoft*, *Windows*, and *Windows Server* are either trademarks or registered trademarks of Microsoft Corporation in the United States and/or other countries; *AMD* and *AMD Opteron* are trademarks of Advanced Micro Devices, Inc.; *Intel* and *Xeon* are registered trademarks of Intel Corporation; *SUSE* is a registered trademark of Novell, Inc.; *Red Hat* and *Enterprise Linux* are registered trademarks of Red Hat, Inc.; *VMware* is a registered trademarks of VMware, Inc. in the United States and/or other jurisdictions.

Other trademarks and trade names may be used in this document to refer to either the entities claiming the marks and names or their products. Dell Inc. disclaims any proprietary interest in trademarks and trade names other than its own.

Model BMX01

May 2008

P/N W001C

Rev. A00

System Features

This section describes the major hardware and software features of your system. It also provides information about other documents you may need when setting up your system and how to obtain technical assistance.

System Enclosure Features

The M1000e system enclosure (chassis) includes the following features:

Scalability Features

- Support for up to 16 half-height or 8 full-height blades (server modules).
- Support for three layers of I/O fabric, selectable between combinations of Ethernet, Infiniband, and Fibre Channel modules.

Up to six I/O modules may be installed in the enclosure, chosen from Fibre Channel switches, Fibre Channel passthroughs, Infiniband switches, Ethernet switches, and Ethernet passthrough modules.

Reliability Features

- Nine redundant, hot-pluggable system fan modules.
- Three 2360-watt, hot-pluggable power supplies and three power supply blanks, or six 2360-watt, hot-pluggable power supplies. (Three power supplies provide power to the system; adding three additional power supplies provides 3+3 redundancy.)



NOTICE: Power supplies can only connect to a power distribution unit (PDU). They cannot connect directly to an electrical outlet.




NOTICE: The system enclosure requires a 200-240V power source.

Systems Management Features


- A Chassis Management Controller (CMC), which provides several essential systems management features:
 - Enclosure-level power management and thermal management:
 - The CMC monitors system power requirements and supports the optional Dynamic Power Supply Engagement mode so that the CMC can enable or place power supplies in standby dynamically, depending on load and redundancy requirements, to improve power efficiency.
 - The CMC reports real-time power consumption.
 - The CMC supports an optional power ceiling, which will either trigger an alert or actions to keep the enclosure power consumption under the predefined ceiling.
 - The CMC monitors and controls cooling fans based on actual ambient and internal temperature measurements.
 - The CMC provides comprehensive enclosure inventory and status/error reporting.
 - The CMC allows centralized configuration of the following settings:
 - The CMC's network and security settings
 - Power redundancy and power ceiling settings
 - I/O switches and iDRAC network settings
 - First boot device on the blades
 - The CMC will check I/O fabric consistency between the I/O modules and blades and will disable system components if necessary to protect the system hardware.
 - User access security.
 - An SD card slot on the CMC card supports an optional persistent WWN/MAC feature that allows slot-based WWN/MACs for the blades, simplifying blade installation and replacement.

The CMC has two Ethernet ports. "Gb1" is used to connect to the external management network. "Stack" allows CMCs in adjacent enclosures to be daisy-chained. A 24-port Ethernet switch provides internal 100-Mb communication with the blades, I/O modules, optional iKVM, and optional second, redundant CMC, and provides a 10/100/1000-Mb connection to the external management network.


 **NOTE:** The 24-port Ethernet switch is reserved for internal communication between the iDRAC on the blades to the CMC, then to the external management network.

A second, optional CMC can be installed for hot-plug failover redundancy.

- An enclosure control panel that includes an LCD display which provides current infrastructure and blade information, and error reporting.
- An optional Avocent integrated Keyboard, Video and Mouse (iKVM) module, which includes the following features:
 - The iKVM maintains all blade connections as input is switched from each blade.
 - Local iKVM access can be remotely disabled on a per blade basis via the iDRAC user interface.
 - One VGA connector.
 - Two USB ports for keyboard and mouse connections.

 **NOTE:** USB functionality is contingent on the connection of a video interface, such as a monitor cable.

- An RJ-45 ACI port for tiering with external Dell and Avocent analog KVM and KVM over IP switches with ARI ports. The ACI connection takes precedence over the rear panel KVM ports.
- The iKVM can also be accessed from the control panel in the front of the enclosure. Either front or rear KVM functionality is supported (simultaneous functionality is not supported).

 **NOTE:** The front iKVM is enabled by default if contention exists between the front and rear iKVM ports. Front iKVM access can be disabled via the CMC user interface.

Blade Features

Performance Features

PowerEdge M905

- Four AMD™ Opteron™ 8000 Series dual-core or quad-core processors.
- A minimum of 8 GB of 677 MHz DDR2 memory modules, upgradable to a maximum of 192 GB by installing pairs of 1-GB, 2-GB, 4-GB, or 8-GB modules in the 24 memory module sockets on the blade system board. The blade also supports memory sparing if eight or sixteen memory module sockets are populated with identical memory modules.
- An SD (Secure Digital) card slot for embedded Hypervisor support.

PowerEdge M805

- Two AMD Opteron 2000 Series dual-core or quad-core processors.
- A minimum of 4 GB of 677 MHz DDR2 memory modules, upgradable to a maximum of 128 GB by installing pairs of 1-GB, 2-GB, 4-GB, or 8-GB modules in the 16 memory module sockets on the blade system board. The blade also supports memory sparing if eight or sixteen memory module sockets are populated with identical memory modules.
- An SD card slot for embedded Hypervisor support.

PowerEdge M600

- One or two Intel® Xeon® dual-core or quad-core processors
- A minimum of 1 GB of 677-MHz FBD memory modules, upgradable to a maximum of 64 GB by installing pairs of 512-MB, 1-GB, 2-GB, 4-GB, or 8-GB modules in the eight memory module sockets on the blade system board. The blade also supports memory sparing or memory mirroring if all eight memory module sockets are populated with identical memory modules.

PowerEdge M605

- One or two AMD Opteron 2000 Series dual-core or quad-core processors.
- A minimum of 1 GB of 677-MHz or 800-MHz DDR2 memory modules, upgradable to a maximum of 64 GB by installing pairs of 512-MB, 1-GB, 2-GB, 4-GB, or 8-GB modules in the eight memory module sockets on the blade system board. The blade also supports memory sparing.

Common Features

- The PowerEdge M805 and M905 blades support one or two 2.5 inch SAS hard drives.
- The PowerEdge M600 and M605 blades support one or two 2.5-inch SATA hard drives, *or* one or two 2.5 inch SAS hard drives.



NOTE: SAS and SATA hard drives cannot be mixed within a blade.

Hot-plug drive operation is supported if an optional RAID controller card is installed in the blade.

- Three USB 2.0-compliant ports (PowerEdge M805 and M905) or two USB 2.0-compliant ports (PowerEdge M605 and M600) support devices such as a mouse, keyboard, flash drive, diskette drive, or an optical drive.



NOTE: Only Dell-supplied USB devices are supported.

- An integrated VGA-compatible video subsystem with an ATI RN50 video controller. This video subsystem contains 32 MB of SDRAM video memory (nonupgradable). Maximum resolution is 1280 x 1024 x 65,000 colors (noninterlaced).
- An Integrated Dell Remote Access Controller (iDRAC), which provides remote system management, blade-level power management, virtual KVM and virtual media support, remote alerting and event logging.
- Four 1-GB Ethernet ports supported by two integrated dual-port Broadcom 5709S controllers (PowerEdge M805 and M905), or two 1-GB Ethernet ports supported by two integrated Broadcom 5708S controllers (PowerEdge M600 and M605). TCP/IP Offload Engine (TOE) and iSCSI boot are supported.

For a complete list of system features, see "Technical Specifications" on page 15.

The following software is included with your system:

- A System Setup program for quickly viewing and changing system configuration information. For more information on this program, see "Using the System Setup Program" in your *Hardware Owner's Manual*.
- Enhanced security features, including a system password and a setup password, available through the System Setup program.
- System diagnostics for evaluating system components and devices. For information about the system diagnostics, see "Running the System Diagnostics" in your *Hardware Owner's Manual*.
- Video drivers for displaying many popular application programs in high-resolution modes.
- Systems management software and documentation. Systems management software is used to manage and monitor each individual blade as well as the system as a whole, including all of the blades, network switch modules, power supplies, and fans. Systems management software manages the system locally and remotely on a network. Dell recommends that you use the systems management software provided with this system.
- Optional solutions software for Web hosting, caching, or load balancing. See your solutions software documentation for more information.

Supported Operating Systems

- Microsoft® Windows Server™ 2003, Web, Standard and Enterprise (32-bit x86) Editions with SP2
- Microsoft Windows Server 2003, Standard, Enterprise, and DataCenter (x64) Editions SP1, SP2
- Microsoft Windows Server 2003 R2 Standard and Enterprise (32-bit x86) Editions with SP1, SP2
- Microsoft Windows Server 2003 R2 Standard, Enterprise, and DataCenter (x64) Editions with SP1, SP2
- Microsoft Windows Server 2008, Standard Edition with SP1, SP2, DataCenter, and EM64T
- Red Hat® Enterprise Linux® AS, ES, and WS (version 4) and EM64T
- Red Hat Enterprise Linux AS and ES (version 4) (ia32)


- Red Hat Enterprise Linux Server AS and ES (version 5) (ia32)
- Red Hat Enterprise Linux Server AS, ES, and WS (version 5) and EM64T
- SUSE® Linux Enterprise Server 9 (x86_64) with SP3 and EM64T
- SUSE Linux Enterprise Server 10 (x86_64) and EM64T
- VMWare® ESX 3.1
- VMWare ESX 3.5

Other Information You May Need



CAUTION: See the safety and regulatory information that shipped with your system. Warranty information may be included within this document or as a separate document.

- The *Configuration Guide* provides information on configuring the system enclosure and the blades.
- The *Rack Installation Guide* or *Rack Installation Instructions* included with your rack solution describes how to install your system into a rack.
- The *Hardware Owner's Manual* provides information about system features and describes how to troubleshoot the system and install or replace system components. This document may be found on the CDs that came with your system or at support.dell.com.
- The *Dell Chassis Management Controller User's Guide* provides detailed information on using the remote management features of the system.
- CDs or DVDs included with your system provide documentation and tools for configuring and managing your system.
- Systems management software documentation describes the features, requirements, installation, and basic operation of the software.
- Operating system documentation describes how to install (if necessary), configure, and use the operating system software.
- Documentation for any components you purchased separately provides information to configure and install these options.


- Updates are sometimes included with the system to describe changes to the system, software, and/or documentation.
 -  **NOTE:** Always check for updates on support.dell.com and read the updates first because they often supersede information in other documents.
- Release notes or readme files may be included to provide last-minute updates to the system or documentation or advanced technical reference material intended for experienced users or technicians.

Obtaining Technical Assistance

If you do not understand a procedure in this guide or if the system does not perform as expected, see your *Hardware Owner's Manual*.

Dell Enterprise Training and Certification is available; see dell.com/training for more information. This service may not be offered in all locations.

Installation and Configuration

 **CAUTION:** Before performing the following procedure, read and follow the safety instructions and important regulatory information that shipped with your system. For additional safety best practices information, see www.dell.com/regulatory_compliance.

This section describes the steps required to set up your system for the first time.

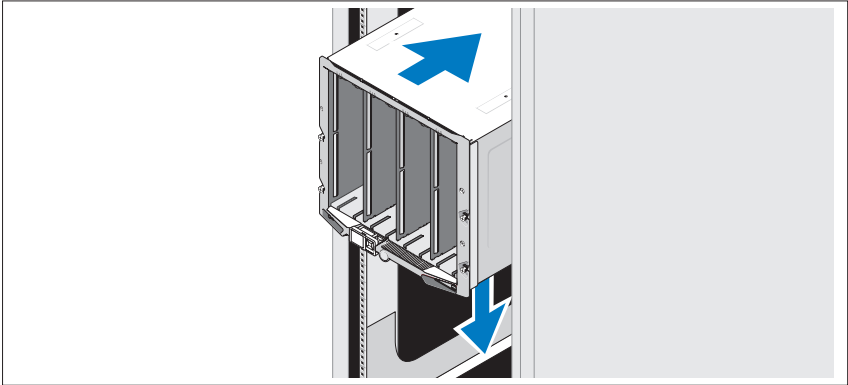
Unpack the System

Unpack your system and identify each item. Keep all shipping materials in case you need them later.

Install the System in a Rack

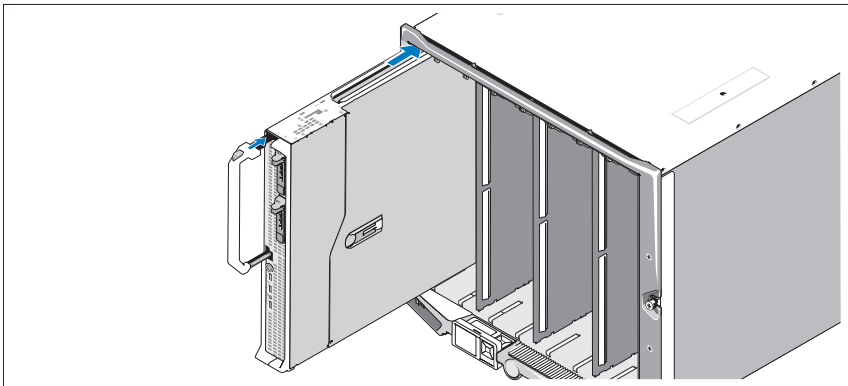
Install the system in the rack once you have read the "Safety Instructions" located in the rack installation documentation for your system.

See your rack installation documentation for instructions on installing your system in a rack. For power and cooling guidelines, see the rack capacity planner tool on www.dell.com.



Install the Blades

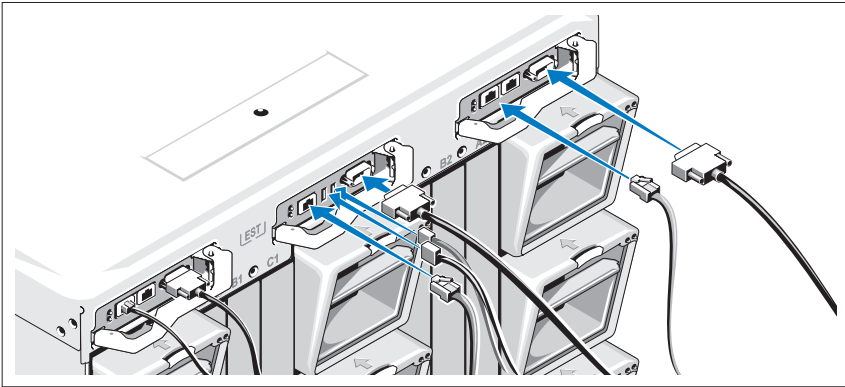
Beginning at the top, slide the modules into the enclosure from left to right. When the blade is securely installed, the handle returns to the closed position.



Connect the CMC and KVM Modules

Connect the serial cable and network cable from the management system to the CMC module. If a second, optional CMC module is installed, connect it as well. (If your chassis was shipped with M805 or M905 blades pre-installed, the included CMC firmware will be version 1.2 or greater.)

Connect the keyboard, mouse, and monitor to the optional iKVM module.

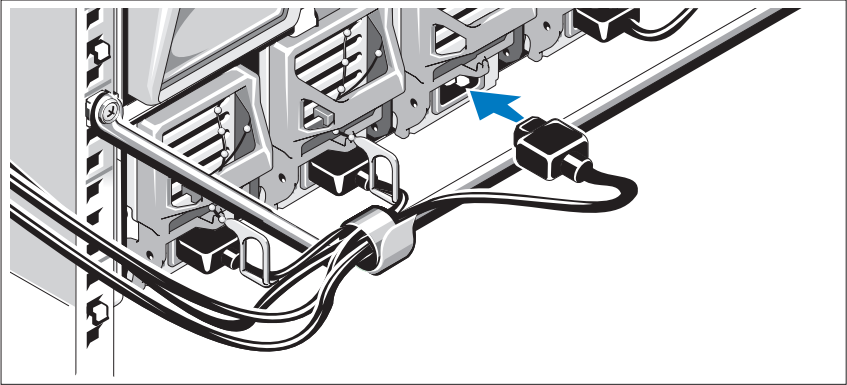


Connect the System to Power

Connect the system's power cables to the system power supplies.

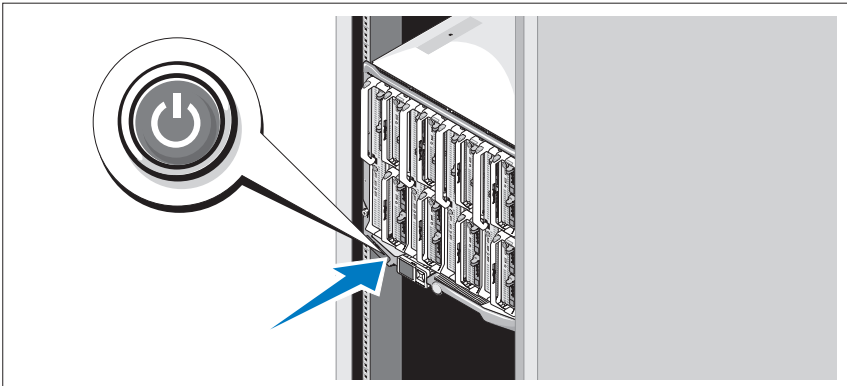
➔ NOTICE: To prevent the power cables from being disconnected accidentally, use the plastic clip on each power supply to secure the power cable to the power supply, and use the Velcro strap to secure the cable to the strain-relief bar.

Next, plug the other end of the power cables into a separate power source such as an uninterruptible power supply (UPS) or a power distribution unit (PDU).



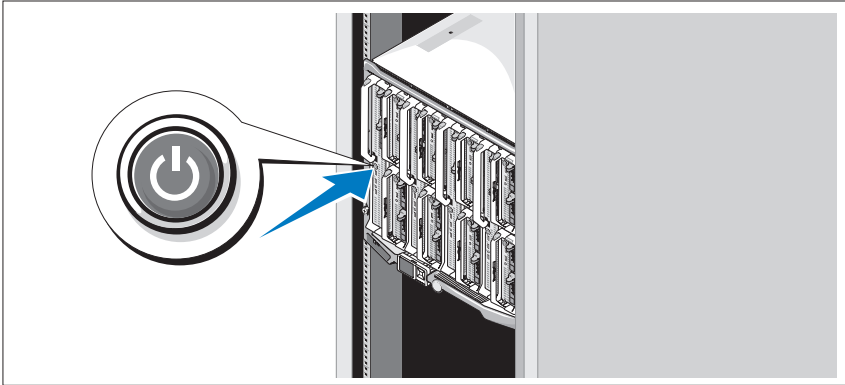
Turn on the System

Press the power button on the enclosure. The power indicator should light.



Turn on the Blades

Press the power button on each blade, or power on the blades using the systems management software.



Complete the Operating System Setup

If you purchased a preinstalled operating system, see the operating system documentation that ships with your system. To install an operating system for the first time, see the [Quick Installation Guide](#). Be sure the operating system is installed before installing hardware or software not purchased with the system.

Technical Specifications

Blade Specifications

Processor

Processor type

PowerEdge M905	Four dual-core or quad-core AMD Opteron 8000 Series processors
PowerEdge M805	Two dual-core or quad-core AMD Opteron 2000 Series processors
PowerEdge M600	One or two dual-core or quad-core Intel Xeon processors
PowerEdge M605	One or two dual-core or quad-core AMD Opteron 2000 Series processors

Memory

Architecture

PowerEdge M600	FBD memory modules, rated for 677-MHz operation
PowerEdge M905, M805, M605	DDR2 memory modules, rated for 677-MHz operation

Memory module sockets

PowerEdge M905	24 240-pin sockets
PowerEdge M805	16 240-pin sockets
PowerEdge M605, M600	Eight 240-pin sockets

Memory module capacities

512 MB (PowerEdge M605 and M600), 1 GB, 2 GB, 4 GB, or 8 GB

Minimum RAM

Two memory modules per processor

PowerEdge M905	8 GB (Eight 1-GB memory modules)
PowerEdge M805	4 GB (Four 1-GB memory modules)
PowerEdge M600, M605	1 GB (two 512-MB memory modules)

Memory

Maximum RAM

PowerEdge M905	192 GB
PowerEdge M805	128 GB
PowerEdge M600, M605	64 GB

Drives

Hard Drives

PowerEdge M805, M905	One or two 2.5-inch SAS hard drives
PowerEdge M600, M605	
SATA configuration	One or two 2.5-inch SATA hard drives
SAS configuration	One or two 2.5-inch SAS hard drives

NOTE: SAS and SATA hard drives cannot be mixed within a M600 or M605 blade.

Connectors

External

USB

PowerEdge M805, M905	Three 4-pin, USB 2.0 compliant
PowerEdge M600, M605	Two 4-pin, USB 2.0 compliant

Internal

SD Card (PowerEdge M805, M905)	One SD card connector
--------------------------------	-----------------------

Ethernet Controllers

Chipset

PowerEdge M805, M905	Four Ethernet ports with TOE and iSCSI boot support, provided by two integrated dual-port Broadcom 5709S Ethernet controllers
PowerEdge M600, M605	Two Ethernet ports with TOE and iSCSI boot support, provided by two integrated Broadcom 5708S controllers

Video Controller

Video type	ATI RN50 video controller
Video memory	32 MB

Physical

PowerEdge M905, M805

Height	38.5cm (15.2 in)
Width	5 cm (2 in)
Depth	48.6 cm (19.2 in)
Weight (maximum configuration)	11.1 kg (24.5 lb)

PowerEdge M605, M600

Height	18.9 cm (7.4 in)
Width	5 cm (2 in)
Depth	48.6 cm (19.2 in)
Weight (maximum configuration)	5.2-6.4 kg (11.5-14.0 lb)

Battery

Blade battery	CR 2032 3.0-V lithium ion coin cell
---------------	-------------------------------------

System Enclosure Specifications

Physical

Height	44.0 cm (17.3 in)
Width	44.7 cm (17.6 in)
Depth	75.5 cm (29.7 in)
Weight (maximum configuration)	178.3 kg (392.2 lb)
Weight (empty)	44.6 kg (98.1 lb)

Power Supply Module

AC/DC power supply (per power supply)

Wattage	2360 W
Connector	NEMA C20 receptacle
Heat dissipation	1205 BTU/hr. maximum
Maximum inrush current	Under typical line conditions and over the entire system ambient operating range, the inrush current may reach 55 A per power supply for 10 ms or less.
System Voltage Requirements	200 - 240V, 16A, 3-Phase, 50 /60Hz 200 - 240V, 40.5A, Single Phase, 50 /60Hz

Optional Avocent iKVM Module

Rear externally accessible connectors

USB	Two 4-pin, USB 2.0-compliant connectors for keyboard and mouse support
ACI port	RJ-45
Video	15-pin VGA

Chassis Management Controller Module

Externally accessible connectors

Remote management	Two dedicated 10/100/1000 Mb RJ-45 ports for integrated Ethernet remote access controller.
Serial	9-pin, DTE, 16550-compatible
Video	15-pin VGA
Battery	CR 2032 3.0-V lithium ion coin cell
SD Card	One dedicated internal SD (Secure Digital) flash card memory slot for FlexAddress support.

Enclosure Control Panel

Externally accessible connectors

USB

PowerEdge M905, M805

Three 4-pin, USB 2.0-compliant connectors for keyboard and mouse support

PowerEdge M605, M600

Two 4-pin, USB 2.0-compliant connectors for keyboard and mouse support

Video

15-pin VGA

Navigation Panel

Features

Four cursor-control keys, one select key, LCD screen

I/O Module Specifications

PowerConnect M6220 Ethernet Switch Module

Externally accessible connectors

10/100/1000 Mbps Ethernet

Four autonegotiating RJ-45 ports

Serial

One 4-pin, USB 2.0 type A connector. (Use provided USB type A to DB9 adapter to connect to terminal)

Optional Modules

Two option bays. Each bay supports a module with two 24-Gb stacking ports, two 10-Gb CX4 copper uplinks, or two 10-Gb optical XFPs.

Cisco M7000E Infiniband Switch Module

Externally accessible connectors

Eight DDR Infiniband uplink ports

Gb Ethernet Pass-Through Module

Externally accessible connectors

Sixteen RJ-45 Ethernet ports

Fibre Channel Pass-Through Module

Externally accessible connectors

Fibre Channel transceiver	Sixteen external SFP ports that support 1/2/4-Gbps FC speeds
---------------------------	--

Brocade Fibre Channel Switch Module

Externally accessible connectors

Fibre Channel	Eight physical FC ports (four enabled by default, upgradeable to eight) supporting 1/2/4-Gbps Fibre Channel connections
Serial Port	RJ-45

Environmental

NOTE: For additional information about environmental measurements for specific system configurations, see dell.com/environmental_datasheets. The system is not for use in an office environment.

Temperature

Operating	10° to 35°C (50° to 95°F) NOTE: Decrease the maximum temperature by 1°C (1.8°F) per 300 m (985 ft) above 900 m (2955 ft).
Storage	-40° to 65°C (-40° to 149°F)

Relative humidity

Operating	8% to 85% (noncondensing) with a maximum humidity gradation of 10% per hour
Storage	5% to 95% (noncondensing)

Maximum vibration

Operating	0.26 Grms at 10–350 Hz for 15 min
Storage	1.54 Grms at 10–250 Hz for 15 min

Environmental (continued)

Maximum shock

Operating	One shock pulse in the positive z axis of 31 G for up to 2.6 ms
Storage	
PowerEdge M905, M805	Six consecutively-executed shock pulses in the positive and negative x, y, and z axis of 71 G up to 2 ms
PowerEdge M605, M600	Six consecutively-executed shock pulses in the positive and negative x, y, and z axis of 71 G up to 2 ms

Altitude

Operating	-16 to 3048 m (-50 to 10,000 ft)
Storage	-16 to 10,600 m (-50 to 35,000 ft)

Systemes Dell™ PowerEdge™

M905, M805, M605 et M600

Guide de mise en route



Remarques, avis et précautions



REMARQUE : Une REMARQUE indique des informations importantes qui peuvent vous aider à mieux utiliser votre ordinateur.



AVIS : Un AVIS vous avertit d'un risque de dommage matériel ou de perte de données et vous indique comment éviter le problème.



PRÉCAUTION ! Une PRÉCAUTION indique un risque potentiel d'endommagement du matériel, de blessure corporelle ou de mort.

Les informations contenues dans ce document peuvent être modifiées sans préavis.

© 2008 Dell Inc. Tous droits réservés.

La reproduction de ce document de quelque manière que ce soit sans l'autorisation écrite de Dell Inc. est strictement interdite.

Marques mentionnées dans ce document : *Dell*, le logo *DELL* et *Dell OpenManage* sont des marques déposées de Dell Inc. ; *Microsoft*, *Windows* et *Windows Server* sont des marques ou des marques déposées de Microsoft Corporation aux États-Unis et/ou dans d'autres pays ; *AMD* et *AMD Opteron* sont des marques déposées d'Advanced Micro Devices, Inc. ; *Intel* et *Xeon* sont des marques déposées d'Intel Corporation ; *SUSE* est une marque déposée de Novell, Inc. ; *Red Hat* et *Enterprise Linux* sont des marques déposées de Red Hat, Inc. ; *VMware* est une marque déposée de VMware, Inc. aux États-Unis et/ou dans d'autres pays.

Tous les autres noms de marques et marques commerciales utilisés dans ce document se rapportent aux sociétés propriétaires des marques et des noms de ces produits. Dell Inc. dénie tout intérêt propriétaire vis-à-vis des marques et des noms de marque autres que les siens.

Modèle BMX01

Mai 2008

N/P W001C

Rév. A00

Caractéristiques du système

Cette section décrit les principales caractéristiques matérielles et logicielles du système. Elle contient également des informations relatives à d'autres documents pouvant être utiles à la configuration du système et indique comment obtenir une assistance technique.

Caractéristiques du châssis

Le châssis du système M1000e présente les caractéristiques suivantes :

Evolutivité

- Prise en charge d'un maximum de 16 lames de mi-hauteur ou de 8 lames de hauteur normale (modules du serveur).
- Prise en charge de trois couches d'E/S pouvant comprendre diverses combinaisons de modules Ethernet, Infiniband et Fibre Channel.

Le châssis peut accueillir jusqu'à six modules d'E/S (commutateurs ou modules d'intercommunication Fibre Channel ou Ethernet, et commutateurs Infiniband).

Fiabilité

- Neuf modules de ventilation redondants et enfichables à chaud.
- Trois blocs d'alimentation enfichables à chaud de 2360 watts et trois caches d'alimentation ou six blocs d'alimentation enfichables à chaud de 2360 watts. Les trois premiers blocs alimentent le système et les trois blocs supplémentaires sont redondants.



AVIS : Les blocs d'alimentation ne peuvent être reliés qu'à une unité de distribution de l'alimentation (PDU). Ils ne peuvent pas être branchés directement sur une prise secteur.



AVIS : Le châssis nécessite une source d'alimentation de 200-240 V.

Gestion des systèmes

- Contrôleur CMC (Chassis Management Controller) fournissant plusieurs fonctions essentielles de gestion des systèmes :
 - Gestion de l'alimentation et des températures au niveau du châssis :
 - Le contrôleur CMC surveille les besoins en alimentation du système et prend en charge l'utilisation du mode DPSE (Dynamic Power Supply Engagement) fourni en option. Il peut ainsi améliorer la gestion de l'alimentation en activant les blocs d'alimentation ou en les mettant en veille en fonction des besoins constatés en termes de charge de travail et de redondance.
 - Le contrôleur CMC fournit des informations en temps réel sur la consommation électrique.
 - Le contrôleur CMC prend en charge la définition d'un seuil d'alimentation (en option) qui permet de générer une alerte ou de déclencher certaines actions visant à maintenir la consommation en dessous d'un niveau donné.
 - Le contrôleur CMC surveille le fonctionnement des ventilateurs en se basant sur la mesure en temps réel des températures ambiante et interne.
 - Le contrôleur CMC permet de bénéficier de fonctions complètes d'inventaire et de consignation des erreurs ou des états.
 - Le contrôleur CMC permet de centraliser la configuration des paramètres suivants :
 - Paramètres réseau et de sécurité du contrôleur CMC
 - Redondance de l'alimentation et définition de seuils
 - Paramètres réseau des E/S pour les commutateurs et les contrôleurs DRAC intégrés
 - Définition du premier périphérique d'amorçage sur les lames
 - Le contrôleur CMC vérifie la cohérence des infrastructures d'E/S entre les modules d'E/S et les lames. Si nécessaire, il désactive des composants afin de protéger le matériel du système.
 - Sécurité des accès utilisateur.

- Un emplacement carte mémoire Secure Digital sur la carte CMC prend en charge une fonction permanente WWN/MAC (en option) qui permet d'utiliser des WWN/MAC à emplacement pour les lames, ce qui simplifie leur installation et leur remplacement.

Le contrôleur CMC comprend deux ports Ethernet. Le port “Gb1” est utilisé pour la connexion au réseau de gestion externe. Le port “Stack” permet de relier en série les contrôleurs CMC installés dans des châssis adjacents. Un commutateur Ethernet comprenant 24 ports gère les communications internes (débit de 100 Mbps) avec les lames, les modules d'E/S, le module KVM intégré en option et un second contrôleur CMC redondant disponible en option. Il fournit également une connexion à 10/100/1000 Mbps avec le réseau de gestion externe.



REMARQUE : Le commutateur Ethernet 24 ports est réservé prioritairement aux communications internes entre le module DRAC intégré aux lames et le contrôleur CMC, puis au réseau de gestion externe.

Un second contrôleur CMC en option et enfichable à chaud peut être installé pour fournir une redondance en cas de basculement.

- Le panneau de commande du châssis comprend un écran LCD qui affiche des informations sur l'infrastructure en cours, les lames et les erreurs rencontrées.
- Un module KVM intégré (iKVM) en option de marque Avocent offre les fonctionnalités suivantes :
 - Le module iKVM maintient actives les connexions à toutes les lames tandis que les entrées sont envoyées uniquement à la lame choisie.
 - L'accès local au module iKVM peut être désactivé à distance, lame par lame, via l'interface utilisateur du module DRAC intégré.
 - Un connecteur VGA.
 - Deux ports USB pour la connexion d'un clavier et d'une souris.



REMARQUE : Les fonctionnalités USB ne peuvent être utilisées que si une interface vidéo est connectée (câble de moniteur, par exemple).

- Un port RJ-45 ACI permet le couplage avec des commutateurs KVM analogiques et KVM sur IP de marque Dell et Avocent dotés de ports ARI. La connexion ACI est prioritaire sur les ports situés sur le panneau arrière du KVM.

- Le module KVM intégré est également accessible à partir du panneau de commande situé à l'avant du châssis. Il est possible d'utiliser le module KVM situé à l'avant ou à l'arrière, mais pas les deux simultanément.



REMARQUE : Le module frontal est activé par défaut en cas de conflit entre les ports situés à l'avant et à l'arrière du module iKVM. L'accès au module iKVM frontal peut être désactivé via l'interface utilisateur du contrôleur CMC.

Caractéristiques des lames

Performances

PowerEdge M905

- Quatre processeurs AMD™ Opteron™ 8000 Series double coeur ou quadruple coeur.
- Un minimum de 8 Go constitué de barrettes de mémoire de 677 MHz, extensible à 192 Go au maximum par l'installation de paires de barrettes de 1, 2, 4 ou 8 Go dans les 24 emplacements prévus à cet effet sur la carte système de la lame. Cette lame prend également en charge l'utilisation de mémoire de réserve si des barrettes de mémoire identiques sont utilisées dans huit ou seize des emplacements de module de mémoire.
- Un emplacement pour carte mémoire Secure Digital en vue de la prise en charge de l'Hyperviser intégré.

PowerEdge M805

- Deux processeurs double coeur ou quadruple coeur AMD Opteron 2000 Series.
- Un minimum de 4 Go constitué de barrettes de mémoire DDR2 de 677 MHz, extensible à 128 Go au maximum par l'installation de paires de barrettes de 1, 2, 4 ou 8 Go dans les 16 emplacements prévus à cet effet sur la carte système de la lame. Cette lame prend également en charge l'utilisation de mémoire de réserve si des barrettes de mémoire identiques sont utilisées dans huit ou seize des sockets prévus à cet effet.
- Un emplacement pour carte mémoire Secure Digital en vue de la prise en charge de l'Hyperviser intégré.

PowerEdge M600

- Un ou deux processeurs Intel® Xeon® double coeur ou quadruple coeur
- Un minimum de 1 Go constitué de barrettes de mémoire FBD de 677 MHz, extensible à 64 Go au maximum par l'installation de paires de barrettes de 512 Mo ou de 1, 2, 4 ou 8 Go dans les huit sockets prévus à cet effet sur la carte système de la lame. Si les huit emplacements mémoire contiennent des modules identiques, il est possible d'utiliser une mémoire de réserve ou une mise en miroir.

PowerEdge M605

- Un ou deux processeurs AMD Opteron 2000 Series double coeur ou quadruple coeur.
- Un minimum de 1 Go constitué de barrettes de mémoire DDR2 de 677 MHz ou de 800 MHz, extensible à 64 Go au maximum par l'installation de paires de barrettes de 512 Mo ou de 1, 2, 4 ou 8 Go dans les huit sockets prévus à cet effet sur la carte système de la lame. Le serveur lame prend également en charge l'utilisation d'une mémoire de réserve.

Fonctionnalités communes

- Les lames PowerEdge M805 et M905 prennent en charge un ou deux disques durs SAS de 2,5 pouces.
- Les lames PowerEdge M600 et M605 prennent en charge un ou deux disques durs SATA de 2,5 pouces *ou* un ou deux disques durs SAS de 2,5 pouces.



REMARQUE : Une lame ne peut pas contenir à la fois des disques durs de type SAS et SATA.

L'ajout ou le retrait à chaud des disques est pris en charge si une carte contrôleur RAID en option est installée dans la lame.

- Trois ports compatibles USB 2.0 (PowerEdge M805 et M905) ou deux ports compatibles USB 2.0 (PowerEdge M605 et M600) assurent la prise en charge des périphériques suivants : souris, clavier, lecteur flash, lecteur de disquette et lecteur optique.



REMARQUE : Seuls les périphériques USB fournis par Dell sont pris en charge.

- Sous-système vidéo intégré compatible VGA comprenant un contrôleur vidéo ATI RN50. Ce sous-système vidéo contient 32 Mo de mémoire vidéo SDRAM (non extensible). La résolution maximale est de 1280x1024x 65000 couleurs (non-entrelacé).
- Contrôleur DRAC intégré (iDRAC, Integrated Dell Remote Access Controller) fournissant différentes capacités : gestion de systèmes à distance, gestion de l'alimentation au niveau des lames, prise en charge des modules KVM et des médias virtuels, déclenchement d'alertes et consignation d'événements à distance.
- Quatre ports Ethernet de 1 Go pris en charge par deux contrôleurs Broadcom 5709S intégrés à double port (PowerEdge M805 et M905), ou deux ports Ethernet de 1 Go pris en charge par deux contrôleurs Broadcom 5708S intégrés (PowerEdge M600 et M605). Le protocole TOE (TCP/IP Offload Engine) et l'amorçage iSCSI sont pris en charge.

Pour une liste complète des caractéristiques du système, reportez-vous au “Spécifications techniques”, page 38.

Les logiciels suivants sont livrés avec le système :

- Programme de configuration du système permettant de consulter et de modifier rapidement les informations sur la configuration du système. Pour plus d'informations sur ce programme, voir “Using the System Setup Program” (Utilisation du programme de configuration du système), dans le document *Hardware Owner's Manual* (Manuel du propriétaire).
- Fonctions de sécurité avancées (disponibles dans le programme de configuration du système) permettant de définir un mot de passe système et un mot de passe de configuration.
- Diagnostics permettant de tester les composants et les périphériques du système. Pour plus d'informations sur les diagnostics du système, voir “Running the System Diagnostics” (Exécution des diagnostics du système), dans le document *Hardware Owner's Manual* (Manuel du propriétaire).
- Pilotes vidéo permettant d'afficher un grand nombre d'applications très répandues dans les modes à haute résolution.

- Logiciel de gestion des systèmes et documentation associée. Les logiciels de gestion des systèmes permettent de gérer et de surveiller chaque lame de façon individuelle, mais aussi le système dans son ensemble, en incluant les lames, les modules de commutation réseau, les blocs d'alimentation et les ventilateurs. Ces logiciels peuvent être utilisés pour gérer le système localement ou à distance via le réseau. Dell recommande l'utilisation du logiciel de gestion des systèmes fourni avec le système.
- Solutions en option pour l'hébergement Web, la mise en cache ou l'équilibrage de charge. Pour plus d'informations, consultez la documentation accompagnant les logiciels.


Systèmes d'exploitation pris en charge

- Microsoft® Windows Server™ 2003 éditions Web, Standard et Enterprise (32 bits, x86) avec SP2
- Microsoft Windows Server 2003, éditions Standard, Enterprise et Datacenter (x64) avec SP1 ou SP2
- Microsoft Windows Server 2003 R2 éditions Standard et Enterprise (32 bits, x86) avec SP1 ou SP2
- Microsoft Windows Server 2003 R2, éditions Standard, Enterprise et Datacenter (x64) avec SP1 ou SP2
- Microsoft Windows Server 2008, éditions Standard avec SP1 ou SP2, DataCenter et EM64T
- Red Hat® Enterprise Linux® AS, ES et WS (version 4) et EM64T
- Red Hat Enterprise Linux AS et ES (version 4) (ia32)
- Red Hat Enterprise Linux Server AS et ES (version 5) (ia32)
- Red Hat Enterprise Linux Server AS, ES et WS (version 5) et EM64T
- SUSE® Linux Enterprise Server 9 (x86_64) avec SP3 et EM64T
- SUSE Linux Enterprise Server 10 (x86_64) et EM64T
- VMWare® ESX 3.1
- VMWare ESX 3.5

Autres informations utiles



PRÉCAUTION ! Consultez les informations de sécurité et de garantie fournies avec votre système. Les informations sur la garantie se trouvent soit dans ce document, soit à part.


- Le *Configuration Guide* (Guide de configuration) fournit des informations sur la configuration du châssis du système et des lames.
 - Les documents *Rack Installation Guide* (Guide d'installation du rack) et *Rack Installation Instructions* (Instructions d'installation du rack) fournis avec la solution rack décrivent l'installation du système.
 - Le document *Hardware Owner's Manual* (Manuel du propriétaire) contient des informations sur les caractéristiques du système, ainsi que des instructions relatives au dépannage et à l'installation ou au remplacement de composants. Il se trouve sur les CD fournis avec le système et sur le site support.dell.com.
 - Le document *Dell Chassis Management Controller User's Guide* (Contrôleur de gestion de châssis Dell) contient des informations détaillées sur l'utilisation des fonctions de gestion à distance du système.
 - Les CD ou les DVD fournis avec le système contiennent des documents et des outils relatifs à la configuration et à la gestion du système.
 - La documentation relative aux logiciels de gestion du système contient des informations sur les fonctionnalités, l'installation et l'utilisation de base de ces logiciels, ainsi que sur la configuration requise.
 - La documentation du système d'exploitation indique comment installer (au besoin), configurer et utiliser le système d'exploitation.
 - La documentation fournie avec les composants achetés séparément indique comment installer et configurer ces options.
 - Des mises à jour sont parfois fournies avec le système. Elles décrivent les modifications apportées au système, aux logiciels ou à la documentation.
-  **REMARQUE :** Vérifiez toujours si des mises à jour sont disponibles sur le site support.dell.com et lisez-les en premier, car elles remplacent souvent les informations contenues dans les autres documents.
- Si des notes d'édition ou des fichiers lisez-moi (readme) sont fournis, ils contiennent des mises à jour de dernière minute apportées au système ou à la documentation, ou bien des informations techniques destinées aux utilisateurs expérimentés ou aux techniciens.

Obtention d'une assistance technique

Si vous ne comprenez pas une procédure décrite dans ce guide ou si le système ne réagit pas comme prévu, reportez-vous au document *Hardware Owner's Manual* (Manuel du propriétaire).

Des formations et certifications Dell Enterprise sont disponibles. Pour plus d'informations, consultez le site dell.com/training. Ce service n'est disponible que dans certains pays.

Installation et configuration

 **PRÉCAUTION ! Avant de commencer la procédure suivante, lisez et respectez les consignes de sécurité et les informations importantes sur les réglementations fournies avec le système. Pour plus d'informations sur les meilleures pratiques en matière de sécurité, voir le site www.dell.com/regulatory_compliance.**

Cette section décrit les étapes devant être exécutées lors de la configuration initiale du système.

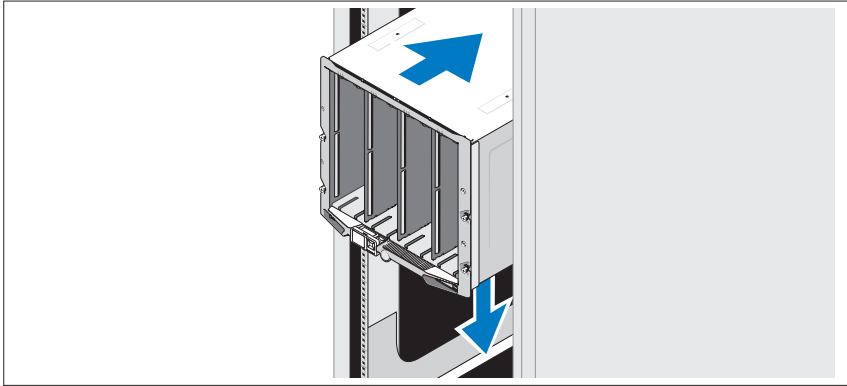
Déballage du système

Sortez le système de son emballage et identifiez chaque élément. Conservez les matériaux d'emballage au cas où vous en auriez besoin ultérieurement.

Installation du système dans un rack

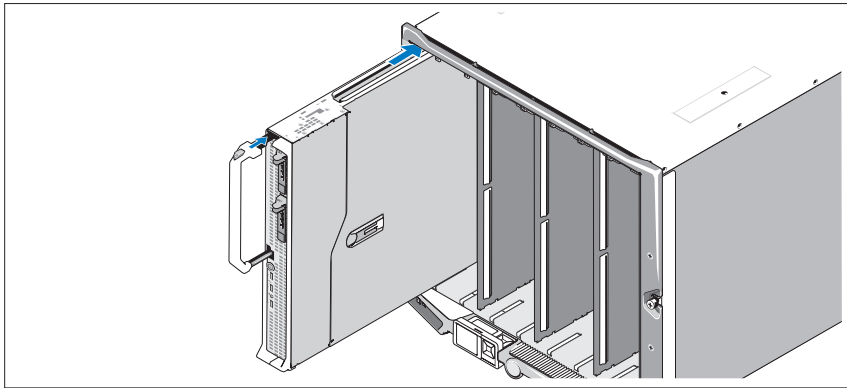
Commencez par lire les consignes de sécurité qui se trouvent dans la documentation d'installation du rack, puis installez le système dans le rack.

Consultez la documentation d'installation du rack pour obtenir les instructions appropriées. Pour obtenir des directives concernant l'alimentation et le refroidissement, reportez-vous à l'outil de planification de capacité des racks disponible sur le site www.dell.com.



Installation des lames

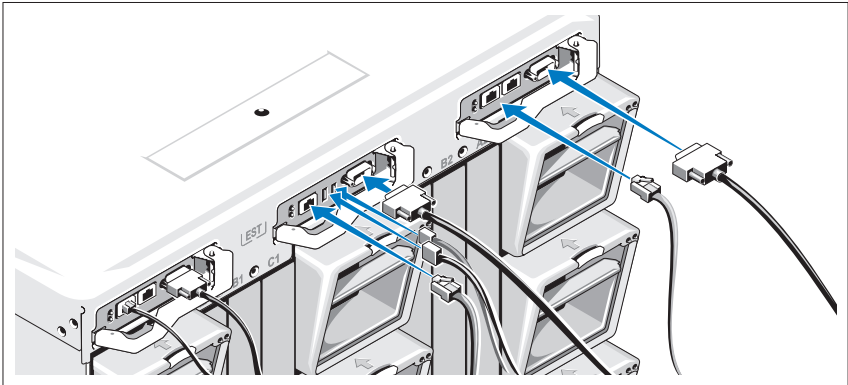
Insérez les modules dans le châssis en commençant par le haut et en procédant de gauche à droite. Lorsqu'une lame est correctement installée, la poignée revient en position fermée.



Connexion du contrôleur CMC et des modules KVM

Connectez les câbles série et réseau du système de gestion au module CMC. Si un second module CMC en option est installé, connectez-le également. Si votre châssis a été fourni avec des lames M805 ou M905 préinstallées, le micrologiciel CMC inclus est de version 1.2 ou ultérieure.

Connectez le clavier, la souris et le moniteur au module iKVM en option.

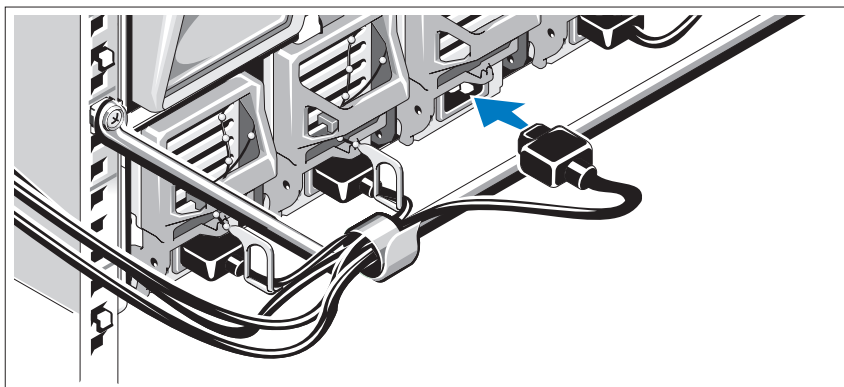


Branchement du système sur le secteur

Enfichez les câbles d'alimentation du système dans les blocs d'alimentation.

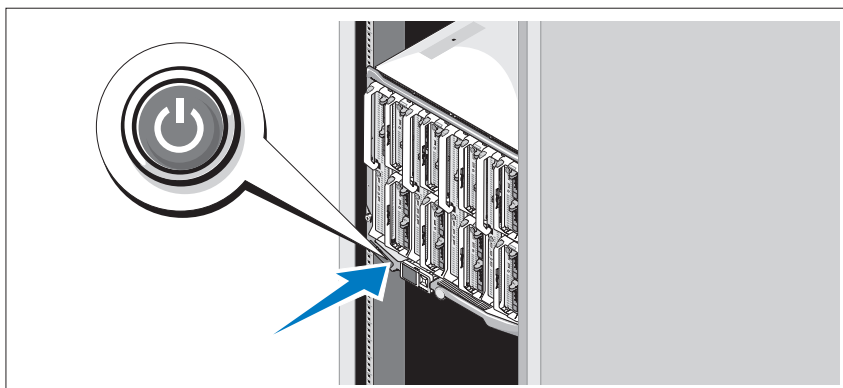
- ➔ **AVIS :** Pour éviter que les câbles d'alimentation ne soient débranchés accidentellement, utilisez le clip en plastique situé sur chaque bloc d'alimentation pour fixer le câble. Utilisez également la bande Velcro pour maintenir le câble sur la barre de retenue.

Branchez ensuite l'autre extrémité des cordons d'alimentation sur une source d'alimentation autonome, comme un onduleur ou une unité de distribution de l'alimentation.



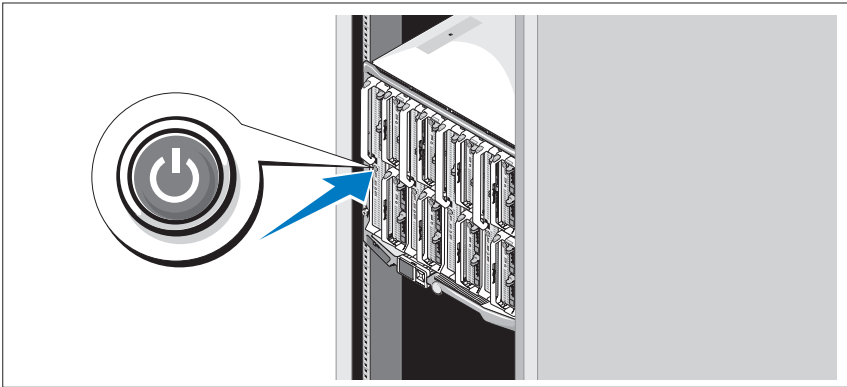
Mise sous tension du système

Appuyez sur le bouton d'alimentation du châssis. Le voyant d'alimentation doit s'allumer.



Mise sous tension des lames

Mettez chaque lame sous tension en appuyant sur son bouton d'alimentation ou en utilisant le logiciel de gestion des systèmes.



Finalisation de l'installation du système d'exploitation

Si vous avez acheté un système d'exploitation préinstallé, consultez tout d'abord la documentation associée, qui a été fournie avec l'ordinateur. Si vous installez un système d'exploitation pour la première fois, consultez le document Quick Installation Guide (Guide d'installation rapide). Veillez à installer le système d'exploitation avant tout élément matériel ou logiciel acheté séparément.

Spécifications techniques

Spécifications des lames

Processeur

Type de processeur	
PowerEdge M905	Quatre processeurs AMD Opteron 8000 Series double coeur ou quadruple coeur
PowerEdge M805	Deux processeurs AMD Opteron 2000 Series double coeur ou quadruple coeur
PowerEdge M600	Un ou deux processeurs Intel Xeon double coeur ou quadruple coeur.
PowerEdge M605	Un ou deux processeurs AMD Opteron 2000 Series double coeur ou quadruple coeur

Mémoire

Architecture	
PowerEdge M600	Barrettes de mémoire FBD, cadencées à 677 MHz
PowerEdge M905, M805, M605	Barrettes de mémoire DDR2, cadencées à 677 MHz
Connecteurs mémoire	
PowerEdge M905	24 sockets à 240 broches
PowerEdge M805	16 sockets à 240 broches
PowerEdge M605, M600	Huit sockets à 240 broches
Capacité des barrettes de mémoire	512 Mo (PowerEdge M605 et M600), 1 Go, 2 Go, 4 Go ou 8 Go
RAM minimale	Deux barrettes de mémoire par processeur
PowerEdge M905	8 Go (huit barrettes de mémoire de 1 Go)
PowerEdge M805	4 Go (quatre barrettes de mémoire de 1 Go)
PowerEdge M600, M605	1 Go (deux barrettes de 512 Mo)

Mémoire *(suite)*

RAM maximale

PowerEdge M905	192 Go
PowerEdge M805	128 Go
PowerEdge M600, M605	64 Go

Lecteurs

Disques durs

PowerEdge M805, M905 Un ou deux disques durs SAS enfichables à chaud de 2,5 pouces

PowerEdge M600, M605

Configuration SATA Un ou deux disques durs SATA de 2,5 pouces

Configuration SAS Un ou deux disques durs SAS de 2,5 pouces

REMARQUE : Une lame M600 ou M605 ne peut pas contenir à la fois des disques durs de type SAS et SATA.

Connecteurs

Externes

USB

PowerEdge M805, M905 Trois connecteurs à 4 broches, compatibles USB 2.0

PowerEdge M600, M605 Deux connecteurs à 4 broches, compatibles USB 2.0

Interne

Carte mémoire Secure Digital (PowerEdge M805, M905) Un connecteur pour carte mémoire Secure Digital

Contrôleurs Ethernet

Circuit microprogrammé

PowerEdge M805, M905

Quatre ports Ethernet avec prise en charge TOE et amorçage iSCSI, assurée par deux contrôleurs Ethernet Broadcom 5709S à double port

PowerEdge M600, M605

Deux ports Ethernet avec prise en charge TOE et amorçage iSCSI, assurée par deux contrôleurs Broadcom 5708S intégrés

Contrôleur vidéo

Type de vidéo

Contrôleur vidéo ATI RN50

Mémoire vidéo

32 Mo

Caractéristiques physiques

PowerEdge M905, M805

Hauteur

38,5 cm (15,2 pouce)

Largeur

5 cm (2 pouces)

Profondeur

48,6 cm (19,2 pouces)

Poids (configuration maximale)

11,1 kg (24,5 livres)

PowerEdge M605, M600

Hauteur

18,9 cm (7,4 pouces)

Largeur

5 cm (2 pouces)

Profondeur

48,6 cm (19,2 pouces)

Poids (configuration maximale)

5,2 à 6,4 kg (11,5 à 14 livres)

Batterie

Pile pour serveur lame

Pile bouton au lithium-ion CR2032 (3 V)

Spécifications du châssis

Caractéristiques physiques

Hauteur	44,0 cm (17,3 pouces)
Largeur	44,7 cm (17,6 pouces)
Profondeur	75,5 cm (29,7 pouces)
Poids (configuration maximale)	178,3 kg (392,2 livres)
Poids (à vide)	44,6 kg (98,1 livres)

Bloc d'alimentation

Bloc d'alimentation en CA/CC (selon la tension en vigueur)

Puissance	2360 W
Connecteur	Connecteur C20 NEMA
Dissipation thermique	1205 BTU/h. maximum
Appel de courant maximal	Dans des conditions de ligne typiques et dans toute la gamme ambiante de fonctionnement du système, l'appel de courant peut atteindre 55 A par bloc d'alimentation pendant un maximum de 10 ms.
Tension requise pour le système	200 - 240 V, 16A, triphasé, 50/60Hz 200 - 240 V, 40,5A, monophasé, 50/60Hz

Module Avocent iKVM en option

Connecteurs arrière accessibles de l'extérieur

USB	Deux connecteurs USB 2.0 à 4 broches pour le branchement d'un clavier et d'une souris
Port ACI	RJ-45
Vidéo	VGA, 15 broches

Module contrôleur de gestion du châssis (CMC)

Connecteurs accessibles de l'extérieur

Gestion à distance	Deux connecteurs RJ-45 10/100/1000 Mbps dédiés pour le contrôleur d'accès à distance Ethernet intégré.
Série	Connecteur DTE à 9 broches, compatible 16550
Vidéo	VGA, 15 broches
Batterie	Pile bouton au lithium-ion CR2032 (3 V)
Carte Secure Digital	Un emplacement pour carte Secure Digital dédié à la prise en charge de FlexAddress.

Panneau de commande du châssis

Connecteurs accessibles de l'extérieur

USB	
PowerEdge M905, M805	Trois connecteurs USB 2.0 à 4 broches pour le branchement d'un clavier et d'une souris
PowerEdge M605, M600	Deux connecteurs USB 2.0 à 4 broches pour le branchement d'un clavier et d'une souris
Vidéo	VGA, 15 broches
Panneau de navigation	
Fonctionnalités	Quatre touches de commande du curseur, une touche de sélection, un écran LCD

Spécifications des modules d'E/S

Module commutateur Ethernet PowerConnect M6220

Connecteurs accessibles de l'extérieur

Ethernet - 10/100/1000 Mbps	Quatre ports RJ-45 à négociation automatique
Série	Un connecteur USB 2.0 de type A à quatre broches. Pour la connexion à la console, utilisez l'adaptateur USB fourni (type A vers DB9).
Modules en option	Deux baies d'option. Chaque baie prend en charge un module équipé de deux ports d'empilage de 24 Go, de deux liaisons montantes CX4 de 10 Go ou de deux ports XFP de 10 Go sur fibre optique.

Module commutateur Cisco M7000E Infiniband

Connecteurs accessibles de l'extérieur Huit liaisons montantes DDR Infiniband

Module d'intercommunication Ethernet Gigabit

Connecteurs accessibles de l'extérieur Seize ports Ethernet RJ-45

Module d'intercommunication Fibre Channel

Connecteurs accessibles de l'extérieur

Émetteur-récepteur Fibre Channel	Seize ports SFP externes qui prennent en charge des vitesses FC de 1/2/4 Gbps
----------------------------------	---

Module commutateur Fibre Channel Brocade

Connecteurs accessibles de l'extérieur

Connexions Fibre Channel	Huit ports physiques Fibre Channel dont quatre sont activés par défaut, prenant en charge les connexions Fibre Channel à 1/2/4 Gbps
Port série	RJ-45

Environnement

REMARQUE : Pour plus d'informations concernant les mesures d'exploitation liées à différentes configurations spécifiques, rendez-vous à l'adresse dell.com/environmental_datasheets. Le système n'est pas conçu pour être utilisé dans un bureau.

Température

Fonctionnement

De 10° à 35°C (50 à 95°F)

REMARQUE : Au-dessus de 900 m (2955 pieds), la température maximale doit être diminuée de 1°C (1,8°F) tous les 300 m (985 pieds).

Stockage

De -40° à 65°C (-40° à 149°F)

Humidité relative

Fonctionnement

De 8% à 85% (sans condensation) avec une gradation d'humidité maximale de 10% par heure.

Stockage

De 5% à 95% (sans condensation)

Tolérance maximale aux vibrations

Fonctionnement

0,26 Grms avec un balayage de 10 à 350 Hz pendant 15 min

Stockage

1,54 Grms avec un balayage de 10 à 250 Hz pendant 15 minutes

Choc maximal

Fonctionnement

Une impulsion de choc de 31 G pendant un maximum de 2,6 ms sur l'axe z positif

Stockage

PowerEdge M905, M805

Six chocs consécutifs de 71 G pendant un maximum de 2 ms en positif et négatif sur les axes x, y et z

PowerEdge M605, M600

Six chocs consécutifs de 71 G pendant un maximum de 2 ms en positif et négatif sur les axes x, y et z

Altitude

Fonctionnement

De -16 à 3 048 m (-50 à 10 000 pieds)

Stockage

De -16 à 10 600 m (-50 à 35 000 pieds)

Dell™ PowerEdge™
M905, M805, M605 e M600

Primeiros passos com o sistema



Notas, avisos e advertências



NOTA: As NOTAS fornecem informações importantes que o ajudam a utilizar melhor o computador.



AVISO: As mensagens de AVISO informam sobre possíveis danos ao hardware ou perda de dados e indicam como evitar o problema.



ADVERTÊNCIA: As mensagens de ADVERTÊNCIA indicam possíveis danos de propriedade, ferimentos pessoais ou morte.

**As informações contidas neste documento estão sujeitas a alterações sem aviso prévio.
© 2008 Dell Inc. Todos os direitos reservados.**

Fica proibida a reprodução por quaisquer meios sem a permissão por escrito da Dell Inc.

Marcas comerciais utilizadas neste texto: *Dell*, o logotipo *DELL* e *Dell OpenManage* são marcas comerciais da Dell Inc.; *Microsoft*, *Windows* e *Windows Server* são marcas comerciais ou registradas da Microsoft Corporation nos Estados Unidos e/ou em outros países; *AMD* e *AMD Opteron* são marcas comerciais da Advanced Micro Devices, Inc.; *Intel* e *Xeon* são marcas registradas da Intel Corporation; *SUSE* é uma marca registrada da Novell, Inc.; *Red Hat* e *Enterprise Linux* são marcas registradas da Red Hat, Inc.; *VMware* é uma marca registrada da VMware, Inc. nos Estados Unidos e/ outras jurisdições.

Outras marcas e nomes comerciais podem ser mencionados neste documento em referência às entidades proprietárias das marcas e nomes ou seus produtos. A Dell Inc. renuncia ao direito de qualquer participação em nomes e marcas comerciais que não sejam de sua propriedade.

Modelo BMX01

Maio de 2008

N/P W001C

Rev. A00

Recursos do sistema

Esta seção descreve os principais recursos de hardware e software do sistema. Também fornece informações sobre outros documentos que podem ser úteis durante a configuração do sistema e quando precisar de assistência técnica.

Recursos da caixa do sistema

A caixa do sistema (chassi) M1000e inclui os seguintes recursos:

Recursos de escalabilidade

- Suporte para até 16 blades de meia altura e 8 de altura total (módulos de servidor).
- Suporte para três camadas de estrutura de E/S que podem ser selecionadas entre combinações de módulos Ethernet, Infiniband e de canais de fibra óptica.

Até seis módulos de E/S podem ser instalados na caixa, escolhidos entre comutadores de canais de fibra óptica, passagens de fibra óptica, comutadores Infiniband, comutadores Ethernet e módulos de passagem Ethernet.

Recursos de confiabilidade

- Nove módulos redundantes de ventiladores de sistema com conexão automática.
- Três fontes de alimentação de 2360 W com conexão automática e três módulos vazios para fontes de alimentação ou seis fontes de alimentação de 2360 W com conexão automática. Três fontes de alimentação fornecem energia ao sistema, enquanto as três fontes adicionais proporcionam redundância de 3+3.



AVISO: As fontes de alimentação só podem ser conectadas a uma PDU (unidade de distribuição de energia). Não é possível conectá-las diretamente a uma tomada elétrica.




AVISO: A caixa do sistema requer uma fonte de energia de 200 V a 240 V.

Recursos de gerenciamento do sistema


- Um controlador de gerenciamento do chassi (CMC) que fornece vários recursos essenciais para o gerenciamento do sistema:
 - Gerenciamento de energia e gerenciamento térmico da caixa:
 - O CMC monitora os requisitos de energia do sistema e oferece suporte ao modo opcional de ajuste de fonte de energia dinâmica para poder ativar as fontes de alimentação ou colocá-las no modo de espera dinamicamente para otimizar a energia, dependendo dos requisitos de carga e redundância.
 - O CMC informa o consumo de energia em tempo real.
 - O CMC oferece suporte para um teto de energia opcional que acionará um alerta ou ações para manter o consumo de energia da caixa sob o teto pré-definido.
 - O CMC monitora e controla os ventiladores de resfriamento com base nas medidas reais de temperatura ambiente e interna.
 - O CMC fornece um inventário abrangente da caixa e indicações de estado e erros.
 - O CMC permite a configuração centralizada dos seguintes ajustes:
 - As configurações de segurança e de rede do CMC
 - Configurações de redundância e teto de energia
 - Configurações de comutadores de E/S e rede iDRAC
 - Primeiro, inicialize o dispositivo das lâminas
 - O CMC verificará a consistência da estrutura de E/S entre os módulos e lâminas de E/S e desativará os componentes do sistema, se necessário, para proteger o hardware do sistema.
 - Segurança de acesso do usuário.
 - Um slot de cartão SD no cartão CMC oferece suporte a um recurso WWN/MAC persistente opcional que permite WWN/MACs baseados em slot para as lâminas, simplificando a instalação e a substituição de lâmina.

O CMC possui duas portas Ethernet. A porta "Gb1" é usada para conectar à rede externa de gerenciamento. A "pilha" permite que os CMCs em caixas adjacentes sejam conectados em margarida. Um comutador Ethernet de 24 portas fornece comunicação interna de 100 Mb com as lâminas, módulos de E/S, iKVM opcional e um segundo CMC opcional e redundante, além de fornecer uma conexão de 10/100/1000 Mb à rede externa de gerenciamento.


 **NOTA:** O comutador Ethernet de 24 portas é reservado para comunicação interna da iDRAC das lâminas com o CMC e com a rede externa de gerenciamento.

Um segundo CMC opcional pode ser instalado para obter uma conexão automática redundante.

- Um painel de controle da caixa contendo um monitor LCD que fornece informações atuais sobre a infra-estrutura e a lâmina, além de relatórios de erros.
- Um módulo Avocent opcional integrado para teclado, vídeo e mouse (iKVM) que inclui os seguintes recursos:
 - O iKVM mantém todas as conexões das lâminas ao alternar a entrada de cada lâmina.
 - Acesso local ao iKVM que pode ser desativado de forma remota para cada lâmina através da interface iDRAC.
 - Um conector VGA.
 - Duas portas USB para conexões de teclado e mouse.

 **NOTA:** A funcionalidade das portas USB depende da conexão de uma interface de vídeo, como um cabo de monitor.

- Uma porta ACI RJ-45 para ser empilhada com KVMs analógicos Dell e Avocent e com os comutadores KVM sobre IP com portas ARI. A conexão ACI tem prioridade sobre as portas KVM do painel traseiro.
- O iKVM também pode ser acessado do painel de controle da parte frontal da caixa. Há suporte tanto para os recursos do KVM frontal quanto do traseiro, mas não para o funcionamento simultâneo.

 **NOTA:** O iKVM frontal é ativado por padrão se houver contenção entre as portas iKVM frontal e traseira. O acesso ao iKVM frontal pode ser desativado pela interface do CMC.

Recursos da lâmina

Recursos de desempenho

PowerEdge M905

- Quatro processadores de dois ou quatro núcleos AMD™ Opteron™ série 8000.
- Mínimo de 8 GB em módulos de memória DDR2 de 677 MHz, que podem ser atualizados para no máximo 192 GB com a instalação de pares de módulos de 1 GB, 2 GB, 4 GB ou 8 GB nos 24 soquetes dos módulos de memória da placa de sistema das lâminas. A lâmina também admite sobressalência de memória, caso todos os oito ou dezesseis soquetes para módulos de memória estejam ocupados com módulos idênticos.
- Veja o slot da placa SD (Secure Digital) para obter suporte Hyperviser incorporado.

PowerEdge M805

- Dois processadores de dois ou quatro núcleos AMD Opteron série 2000.
- Mínimo de 4 GB em módulos de memória DDR2 de 677 MHz, que podem ser atualizados para no máximo 128 GB com a instalação de pares de módulos de 1 GB, 2 GB, 4 GB ou 8 GB nos 16 soquetes dos módulos de memória da placa de sistema das lâminas. A lâmina também admite sobressalência de memória, caso todos os oito ou dezesseis soquetes para módulos de memória estejam ocupados com módulos idênticos.
- Veja o slot da placa SD para obter suporte Hyperviser incorporado.

PowerEdge M600

- Um ou dois processadores de dois ou quatro núcleos Intel® Xeon®.
- Mínimo de 1 GB em módulos de memória FBD de 677 MHz, que podem ser atualizados para no máximo 64 GB com a instalação de pares de módulos de 512 MB, 1 GB, 2 GB ou 4 GB nos oito soquetes dos módulos de memória da placa de sistema das lâminas. A lâmina também admite sobressalência ou espelhamento de memória, caso todos os oito soquetes para módulos de memória estejam ocupados com módulos idênticos.

PowerEdge M605

- Um ou dois processadores de dois ou quatro núcleos AMD Opteron série 2000.
- Mínimo de 1 GB em módulos de memória DDR2 de 677 MHz ou 800 MHz, que podem ser atualizados para no máximo 64 GB com a instalação de pares de módulos de 512 MB, 1 GB, 2 GB, 4 GB ou 8 GB nos oito soquetes dos módulos de memória da placa de sistema das lâminas. A lâmina também oferece suporte para sobressalência de memória.

Recursos comuns

- As lâminas PowerEdge M805 e M905 oferecem suporte a uma ou duas unidades de disco rígido SAS de 2,5 polegadas.
- As lâminas PowerEdge M600 e M605 oferecem suporte a uma ou duas unidades de disco rígido SATA de 2,5 polegadas *ou* uma ou duas unidades de disco rígido SAS de 2,5 polegadas.



NOTA: As unidades de disco rígido SAS e SATA não podem ser misturadas na mesma lâmina.

A operação da unidade de conexão automática é admitida se houver uma placa controladora RAID opcional instalada na lâmina.

- Três portas compatíveis com USB 2.0 (PowerEdge M805 e M905) ou duas portas compatíveis com USB 2.0 (PowerEdge M605 e M600) oferecem suporte a dispositivos como mouse, teclado, unidade flash ou unidade óptica.



NOTA: Somente os dispositivos USB fornecidos pela Dell possuem suporte.

- Um subsistema de vídeo compatível com o padrão VGA, com um controlador de vídeo ATI ES1000. O subsistema de vídeo contém 32 MB de memória de vídeo SDRAM (não atualizável). A resolução máxima é de 1280 x 1024 x 65.000 cores (não entrelaçada).
- Um controlador de acesso remoto integrado da Dell (iDRAC) que fornece gerenciamento remoto de sistemas, gerenciamento de energia das lâminas, suporte para KVM e mídia virtuais, alertas remotos e registro de eventos.

- Quatro portas Ethernet de 1 GB são compatíveis com dois controladores Broadcom de duas portas integrados 5709S (PowerEdge M805 e M905) ou duas portas Ethernet de 1 GB compatíveis com dois controladores Broadcom 5708S integrados (PowerEdge M600 e M605). Mecanismo de descarregamento TCP/IP (TOE) e suporte de inicialização iSCSI são compatíveis.

Para obter uma lista completa de recursos do sistema, consulte “Especificações técnicas” na página 59.

O sistema é fornecido com os seguintes softwares:

- Um programa de configuração do sistema (System Setup) para exibição e alteração rápidas das informações de configuração. Para obter mais informações sobre esse programa, consulte a seção “Como utilizar o programa de configuração do sistema” no *Manual do proprietário de hardware*.
- Recursos aperfeiçoados de segurança, incluindo uma senha de sistema e uma senha de configuração, disponíveis por meio do programa de configuração do sistema.
- Diagnóstico do sistema para avaliação de componentes e dispositivos do sistema. Para obter informações sobre o uso do diagnóstico do sistema, consulte a seção “Como executar o diagnóstico do sistema” do *Manual do proprietário de hardware*.
- Drivers de vídeo para a exibição de vários aplicativos populares em modos de alta resolução.
- Software e documentação de gerenciamento de sistemas. Utiliza-se o software de gerenciamento de sistemas para gerenciar e monitorar cada lâmina individualmente, bem como o sistema como um todo, incluindo todas as lâminas, módulos de comutação de rede, fontes de alimentação e ventiladores. O software de gerenciamento de sistemas gerencia o sistema de forma local e remota, quando em rede. A Dell recomenda a utilização do software de gerenciamento de sistemas fornecido com o sistema.
- Softwares de soluções opcionais para hospedagem web, memória cache ou equilíbrio de carga. Consulte a documentação do software de soluções para obter mais informações.

Sistemas operacionais admitidos


- Microsoft® Windows Server™ 2003, edições Web, Standard e Enterprise (x86 de 32 bits) com SP2
- Microsoft Windows Server 2003, edições Standard, Enterprise e DataCenter (x64) SP1, SP2
- Microsoft Windows Server 2003 R2, edições Standard e Enterprise com SP1, SP2 (x86 de 32 bits).
- Microsoft Windows Server 2003 R2, edições Standard, Enterprise e DataCenter (x64) com SP1, SP2
- Microsoft Windows Server 2008, edição Standard com SP1, SP2, DataCenter e EM64T
- Red Hat® Enterprise Linux® AS, ES e WS (versão 4) e EM64T
- Red Hat Enterprise Linux AS e ES (versão 4) (ia32)
- Red Hat Enterprise Linux Server AS e ES (versão 5) (ia32)
- Red Hat Enterprise Linux Server AS, ES e WS (versão 5) e EM64T
- SUSE® Linux Enterprise Server 9 (x86_64) com SP3 e EM64T
- SUSE Linux Enterprise Server 10 (x86_64) e EM64T
- VMWare® ESX 3.1
- VMWare ESX 3.5

Outras informações úteis



ADVERTÊNCIA: Consulte as informações sobre segurança fornecidas com o sistema. As informações sobre garantia podem estar incluídas neste documento ou serem fornecidas como um documento separado.

- O *Configuration Guide* (Guia de configuração) fornece informações sobre como configurar a caixa e as lâminas do sistema.
- O documento *Guia para instalação em rack* ou *Instruções para montagem em rack* incluído com a solução em rack descreve como instalar o sistema em racks.

- O *Manual do proprietário de hardware* fornece informações sobre os recursos do sistema e descreve como solucionar problemas do sistema e instalar ou substituir seus componentes. Esse documento pode ser encontrado nos CDs que acompanham o sistema ou no site support.dell.com (em inglês).
 - O *Dell Chassis Management Controller User's Guide* (Guia do usuário do Controlador de Gerenciamento do Chassi da Dell) fornece informações detalhadas sobre a utilização dos recursos de gerenciamento remoto do sistema.
 - Os CDs ou DVDs distribuídos com o sistema fornecem documentação e ferramentas para a configuração e o gerenciamento do sistema.
 - A documentação do software de gerenciamento de sistemas descreve os recursos, os requisitos, a instalação e o funcionamento básico do software.
 - A documentação do sistema operacional descreve como instalar (se necessário), configurar e utilizar o software do sistema operacional.
 - A documentação para quaisquer componentes adquiridos em separado fornece informações para configurar e instalar esses opcionais.
 - Às vezes, atualizações são fornecidas com o sistema para descrever mudanças ao sistema, software e/ou à documentação.
-  **NOTA:** Verifique sempre as atualizações disponíveis no site support.dell.com (em Inglês) e leia sempre as atualizações em primeiro lugar, pois estas geralmente substituem informações contidas em outros documentos.
- Talvez existam notas de versão e arquivos leia-me incluídos, para fornecer atualizações de última hora do sistema ou documentação/material para referência técnica avançada destinados a usuários experientes ou técnicos.

Como obter assistência técnica

Se não compreender algum procedimento descrito neste guia ou se o sistema não apresentar o desempenho esperado, consulte o *Manual do proprietário de hardware*.

Existem recursos de treinamento e certificação empresarial da Dell; visite o site www.dell.com/training (em inglês) para obter mais informações. Esse serviço pode não ser oferecido em todos os locais.

Instalação e configuração

⚠ ADVERTÊNCIA: Antes de executar o seguinte procedimento, leia e siga as instruções de segurança e as informações importantes sobre regulamentação fornecidas com o sistema. Para obter informações adicionais sobre as práticas recomendadas de segurança, consulte www.dell.com/regulatory_compliance.

Esta seção descreve as etapas necessárias para a configuração do sistema pela primeira vez.

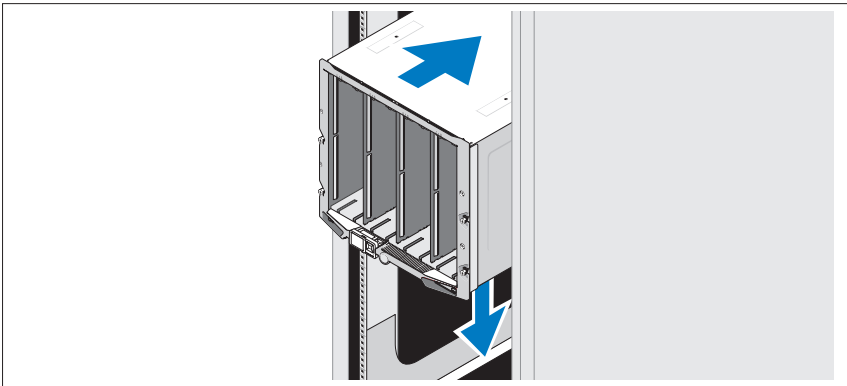
Remoção do sistema da embalagem

Remova o sistema da embalagem e identifique cada item. Mantenha todos os materiais de envio para o caso de precisar deles mais tarde.

Instalação do sistema no rack

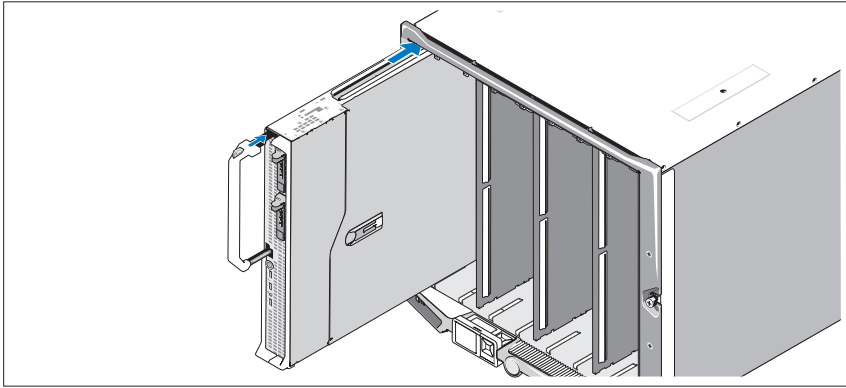
Instale o sistema no rack depois de ler as instruções de segurança localizadas na documentação de instalação em rack para o sistema.

Consulte o documento de instalação do rack para obter instruções sobre como instalar o seu sistema em um rack. Para consultar as diretrizes sobre energia e resfriamento, consulte a ferramenta planejadora de capacidade do rack no site www.dell.com (em inglês).



Instale as lâminas

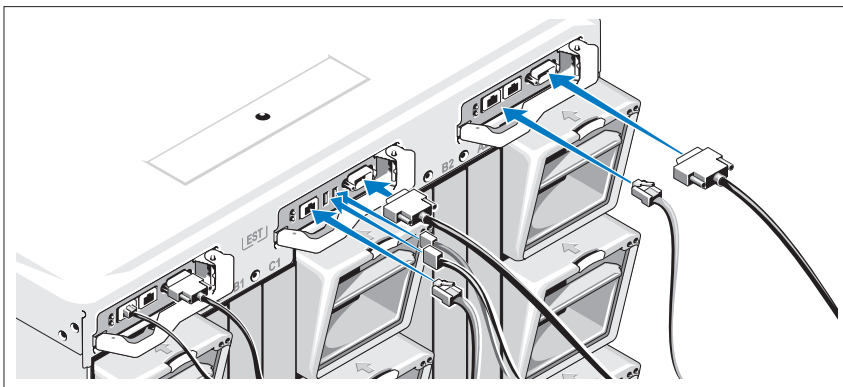
Deslize os módulos da caixa da esquerda para a direita, começando da parte superior. Quando a lâmina estiver instalada com segurança, a alça retorna para a posição fechada.



Conecte os módulos CMC e KVM

Conecte os cabos serial e de rede do sistema de gerenciamento ao módulo DRAC/MC. Se um segundo módulo CMC opcional estiver instalado, conecte-o também. (Se o chassi tiver sido enviado com lâminas M805 ou M905 pré-instaladas, o firmware do CMC incluído será a versão 1.2 ou superior.)

Conecte o teclado, o mouse e o monitor ao módulo iKVM opcional.

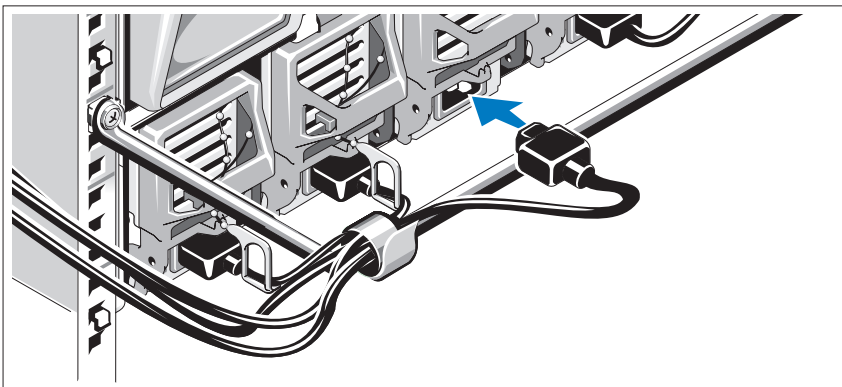


Conecte o sistema à energia

Conecte os cabos de alimentação do sistema às fontes de alimentação.

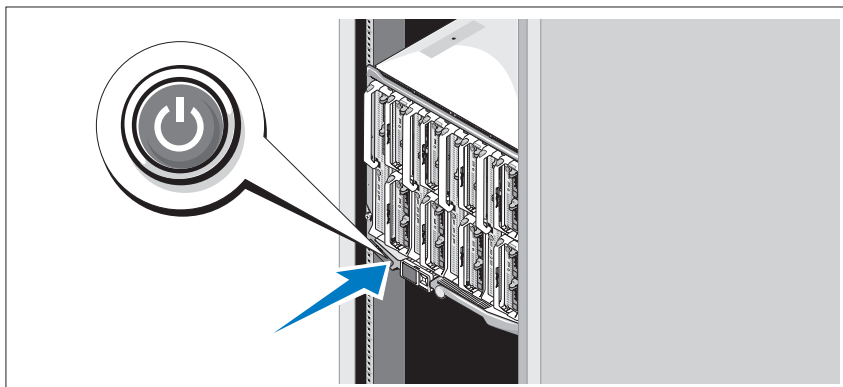
- ➔ **AVISO:** Para evitar que os cabos de alimentação se desconectem acidentalmente, use o clipe plástico de cada fonte de alimentação para prender o cabo à fonte e a tira de velcro para prender o cabo à barra de alívio de tensão.

Conecte a outra extremidade do cabo de alimentação a uma tomada elétrica aterrada ou a uma fonte de energia separada como, por exemplo, uma UPS (Uninterruptible Power Supply Fonte de alimentação ininterrupta) ou uma PDU (Power Distribution Unit Unidade de distribuição de energia).



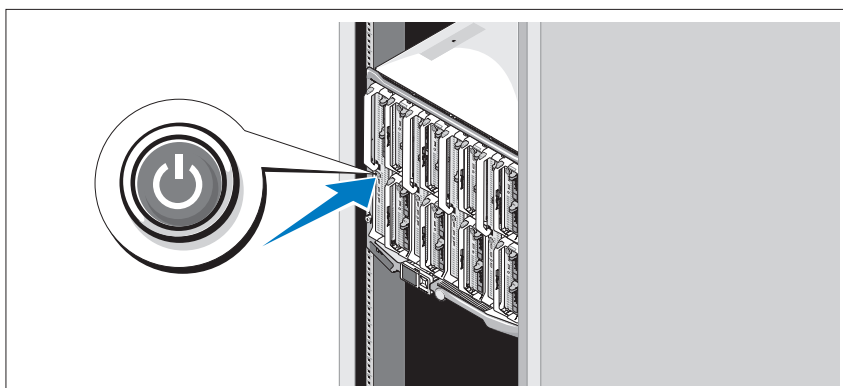
Ligue o sistema

Pressione o botão liga/desliga da caixa. A luz indicadora de energia deverá se acender.



Ligue as lâminas

Pressione o botão liga/desliga de cada lâmina ou ligue as lâminas através do software de gerenciamento de sistemas.



Conclua a configuração do sistema operacional

Caso tenha adquirido um sistema operacional pré-instalado, consulte a respectiva documentação fornecida com o sistema. Para instalar um sistema operacional pela primeira vez, consulte o Guia de instalação rápida. Certifique-se de que o sistema operacional esteja instalado antes de instalar qualquer hardware ou software que não tenha sido adquirido com o sistema.

Especificações técnicas

Especificações da lâmina

Processador	
Tipo de processador	
PowerEdge M905	Quatro processadores de dois ou quatro núcleos AMD Opteron Série 8000
PowerEdge M805	Dois processadores de dois ou quatro núcleos AMD Opteron Série 2000
PowerEdge M600	Um ou dois processadores de dois ou quatro núcleos Intel Xeon
PowerEdge M605	Um ou dois processadores de dois ou quatro núcleos AMD Opteron Série 2000

Memória	
Arquitetura	
PowerEdge M600	Módulos de memória FBD ajustados para operação em 677 MHz
PowerEdge M905, M805, M605	Módulos de memória DDR2 ajustados para operação em 677 MHz
Soquetes dos módulos de memória	
PowerEdge M905	24 soquetes de 240 pinos
PowerEdge M805	16 soquetes de 240 pinos
PowerEdge M605, M600	Oito soquetes de 240 pinos

Memória (continuação)

Capacidades dos módulos de memória	512 MB (PowerEdge M605 e M600), 1 GB, 2 GB, 4 GB ou 8 GB
RAM mínima	Dois módulos de memória por processador
PowerEdge M905	8 GB (oito módulos de memória de 1 GB)
PowerEdge M805	4 GB (quatro módulos de memória de 1 GB)
PowerEdge M600, M605	1 GB (dois módulos de memória de 512 MB)
RAM máxima	
PowerEdge M905	192 GB
PowerEdge M805	128 GB
PowerEdge M600, M605	64 GB

Unidades

Unidades de disco rígido

PowerEdge M805, M905	Uma ou duas unidades de disco rígido SAS de 2,5 pol.
PowerEdge M600, M605	
Configuração SATA	Uma ou duas unidades de disco rígido SATA de 2,5 pol.
Configuração SAS	Uma ou duas unidades de disco rígido SAS de 2,5 pol.

NOTA: As unidades de disco rígido SAS e SATA não podem ser misturadas em uma lâmina M600 ou M605.

Conectores

Externos**USB**

PowerEdge M805, M905	Três de 4 pinos, compatível com USB 2.0
PowerEdge M600, M605	Dois de 4 pinos, compatível com USB 2.0

Interna

Placa SD (PowerEdge M805, M905)	Um conector de placa SD
---------------------------------	-------------------------

Controladores Ethernet

Chipset

PowerEdge M805, M905	Quatro portas Ethernet com TOE e suporte de inicialização iSCSI, fornecidas com dois controladores Ethernet Broadcom 5709S de duas portas integrados
PowerEdge M600, M605	Duas portas Ethernet com TOE e suporte de inicialização iSCSI, fornecidas com dois controladores Ethernet Broadcom 5708S integrados

Controlador de vídeo

Tipo de vídeo	Controlador de vídeo ATI RN50
Memória de vídeo	32 MB

Características físicas

PowerEdge M905, M805

Altura	38,5 cm (15,2 pol.)
Largura	5 cm (2 pol.)
Profundidade	48,6 cm (19,2 pol.)
Peso (configuração máxima)	11,1 kg (24,5 lb)

PowerEdge M605, M600

Altura	18,9 cm (7,4 pol.)
--------	--------------------

Características físicas (continuação)

Largura	5 cm (2 pol.)
Profundidade	48,6 cm (19,2 pol.)
Peso (configuração máxima)	5,2 kg a 6,4 kg (11,5 lb a 14 lb)

Bateria

Bateria das lâminas	Pilha do tipo moeda, de íon de lítio, CR 2032 de 3,0 V
---------------------	--

Especificações da caixa do sistema

Características físicas

Altura	44,0 cm (17,3 pol.)
Largura	44,7 cm (17,6 pol.)
Profundidade	75,5 cm (29,7 pol.)
Peso (configuração máxima)	178,3 kg (392,2 lb)
Peso (vazia)	44,6 kg (98,1 lb)

Módulo da fonte de alimentação

Fonte de alimentação CA/CC (por fonte de alimentação)

Potência	2360 W
Conector	Tomada NEMA C20
Dissipação de calor	1205 BTU/h. Máximo
Corrente de entrada máxima	Sob condições de linha típicas e dentro de todo o intervalo de temperatura ambiente de funcionamento do sistema, a corrente de entrada poderá atingir 55 A por fonte de alimentação por 10 ms ou menos.

Requisitos de tensão do sistema	200 a 240 V, 16 A, trifásico, 50/60 Hz 200 a 240 V, 40,5 A, monofásico, 50/60 Hz
---------------------------------	---

Módulo Avocent iKVM opcional

Conectores traseiros acessíveis externamente

USB	Dois conectores de 4 pinos compatíveis com USB 2.0 para teclado e mouse
Porta ACI	RJ-45
Vídeo	VGA de 15 pinos

Módulo controlador de gerenciamento do chassi

Conectores acessíveis externamente

Gerenciamento remoto	Duas portas RJ-45 10/100/1000 Mb para controlador de acesso remoto Ethernet integrado.
Serial	DTE de 9 pinos, compatível com 16550
Vídeo	VGA de 15 pinos
Bateria	Pilha do tipo moeda, de íon de lítio, CR 2032 de 3,0 V
Placa SD	Um slot de cartão de memória flash SD (Secure Digital) dedicado interno para suporte FlexAddress.

Painel de controle da caixa

Conectores acessíveis externamente

USB	
PowerEdge M905, M805	Três conectores de 4 pinos compatíveis com USB 2.0 para teclado e mouse
PowerEdge M605, M600	Dois conectores de 4 pinos compatíveis com USB 2.0 para teclado e mouse
Vídeo	VGA de 15 pinos

Painel de navegação

Recursos	Quatro teclas de controle do cursor, uma tecla de seleção, tela LCD
----------	---

Especificações do módulo de E/S

Módulo de comutação PowerConnect M6220 Ethernet

Conectores acessíveis externamente

Ethernet de 10/100/1000 Mbps	Quatro portas RJ-45 autonegociáveis
Serial	Um conector de 4 pinos USB 2.0 tipo A. Deve ser usado um conector USB tipo A para que o adaptador DB9 se conecte ao terminal.
Módulos opcionais	Dois compartimentos opcionais. Cada compartimento é compatível com um módulo com duas portas de empilhamento de 24 Gb, duas conexões de cobre de 10 Gb CX4 ou dois XFPs ópticos de 10 Gb.

Módulo de computador Cisco M7000E Infiniband

Conectores acessíveis externamente	Oito portas de conexão DDR Infiniband
------------------------------------	---------------------------------------

Módulo de passagem Gb Ethernet

Conectores acessíveis externamente	Dezesseis portas Ethernet RJ-45
------------------------------------	---------------------------------

Módulo de passagem do canal de fibra óptica

Conectores acessíveis externamente

Transceptor do canal de fibra óptica	Dezesseis portas SFP externas que oferecem suporte para velocidades de 1/2/4 Gbps FC
--------------------------------------	--

Módulo de comutação do canal de fibra óptica Brocade

Conectores acessíveis externamente

Canal de fibra óptica	Oito portas físicas FC (quatro ativadas por padrão que podem ser atualizadas para oito) que oferecem suporte às conexões de 1/2/4 Gbps do canal de fibra óptica
Porta serial	RJ-45

Ambientais

NOTA: Para obter informações adicionais sobre os valores ambientais para configurações de sistema específicas, visite o site dell.com/environmental_datasheets (em inglês) O sistema não se destina à utilização em escritórios.

Temperatura

De funcionamento	10 °C a 35 °C (50 °F a 95 °F). NOTA: Diminua a temperatura máxima em 1 °C (1,8 °F) para cada 300 m (985 pés), acima de 900 m (2955 pés) de altitude.
De armazenamento	-40 °C a 65 °C (-40 °F a 149 °F).

Umidade relativa

De funcionamento	8% a 85% (sem condensação) com variação de umidade máxima de 10% por hora
De armazenamento	5% a 95% (sem condensação)

Vibração máxima

De funcionamento	0,26 Grms a 10 Hz a 350 Hz por 15 minutos
De armazenamento	1,54 Grms a 10–250 Hz por 15 min

Choque máximo

De funcionamento	Um pulso de choque no eixo z positivo de 31 G por até 2,6 ms
De armazenamento	
PowerEdge M905, M805	Seis pulsos de choque executados de forma consecutiva nos eixos x, y e z positivos e negativos de 71 G por até 2 ms
PowerEdge M605, M600	Seis pulsos de choque executados de forma consecutiva nos eixos x, y e z positivos e negativos de 71 G por até 2 ms

Altitude

De funcionamento	-16 m a 3.048 m (-50 a 10.000 pés)
De armazenamento	-16 m a 10.600 m (-50 a 35.000 pés)

Dell™ PowerEdge™
M905, M805, M605 y M600

Procedimientos iniciales con el sistema



Notas, avisos y precauciones



NOTA: Una NOTA proporciona información importante que le ayudará a utilizar mejor el ordenador.



AVISO: Un AVISO indica la posibilidad de daños en el hardware o la pérdida de datos, e informa de cómo evitar el problema.



PRECAUCIÓN: Un mensaje de PRECAUCIÓN indica el riesgo de daños materiales, lesiones o incluso la muerte.

La información contenida en este documento puede modificarse sin previo aviso.

© 2008 Dell Inc. Todos los derechos reservados.

Queda estrictamente prohibida la reproducción de este documento en cualquier forma sin la autorización por escrito de Dell Inc.

Marcas comerciales utilizadas en este texto: *Dell*, el logotipo de *DELL* y *Dell OpenManage* son marcas comerciales de Dell Inc.; *Microsoft*, *Windows* y *Windows Server* son marcas comerciales o marcas comerciales registradas de Microsoft Corporation en los Estados Unidos o en otros países; *AMD* y *AMD Opteron* son marcas comerciales de Advanced Micro Devices, Inc.; *Intel* y *Xeon* son marcas comerciales registradas de Intel Corporation; *SUSE* es una marca comercial registrada de Novell, Inc.; *Red Hat* y *Enterprise Linux* son marcas comerciales registradas de Red Hat, Inc.; *VMware* es una marca comercial registrada de VMware, Inc. en los Estados Unidos o en otras jurisdicciones.

Otras marcas y otros nombres comerciales pueden utilizarse en este documento para hacer referencia a las entidades que los poseen o a sus productos. Dell Inc. renuncia a cualquier interés sobre la propiedad de marcas y nombres comerciales que no sean los suyos.

Modelo BMX01

Mayo de 2008

N/P W001C

Rev. A00

Características del sistema

En esta sección se describen las características principales del hardware y el software del sistema. También se ofrece información sobre otros documentos que puede necesitar para instalar el sistema y sobre cómo obtener asistencia técnica.

Características del alojamiento del sistema

El alojamiento del sistema M1000e (chasis) presenta las características siguientes:

Características de escalabilidad

- Compatibilidad con hasta dieciséis módulos de alta densidad (módulos de servidor) de media altura u ocho de altura completa.
- Compatibilidad con tres niveles de red Fabric de E/S, que pueden seleccionarse a partir de combinaciones de módulos Ethernet, Infiniband y Fibre Channel.

Se pueden instalar hasta seis módulos de E/S en el alojamiento, que pueden ser módulos de conmutador Fibre Channel, de paso a través Fibre Channel, de conmutador Infiniband, de conmutador Ethernet y de paso a través Ethernet.

Características de fiabilidad

- Nueve módulos de ventilador del sistema de acoplamiento activo redundantes.
- Tres fuentes de alimentación de acoplamiento activo de 2 360 vatios y tres paneles de relleno para el hueco de la fuente de alimentación o bien seis fuentes de alimentación de acoplamiento activo de 2 360 vatios. Las tres fuentes de alimentación proporcionan alimentación al sistema; al añadir tres fuentes de alimentación adicionales, se proporciona una redundancia 3+3.



AVISO: Las fuentes de alimentación sólo se pueden conectar a una unidad de distribución de alimentación (PDU). No se pueden conectar directamente a una toma eléctrica.



AVISO: El alojamiento del sistema requiere una fuente de energía de 200-240 V.

Características de administración de sistemas

- Una controladora de administración del chasis (CMC), que proporciona varias funciones básicas de administración de sistemas:
 - Administración de energía del alojamiento y administración térmica:
 - La CMC supervisa los requisitos de alimentación del sistema y es compatible con el modo opcional de activación dinámica de la fuente de alimentación para que la CMC pueda activar fuentes de alimentación o colocarlas en modo de espera de forma dinámica, según los requisitos de carga y redundancia, para mejorar la eficiencia energética.
 - La CMC notifica el consumo de energía en tiempo real.
 - La CMC admite un límite de energía opcional, que generará una alerta o desencadenará acciones para que el consumo de energía del alojamiento no sobrepase el límite predefinido.
 - La CMC supervisa y controla los ventiladores de refrigeración en función de mediciones reales de la temperatura interna y ambiente.
 - La CMC proporciona informes completos de errores o de estado y del inventario del alojamiento.
 - La CMC permite configurar de forma centralizada los valores siguientes:
 - La configuración de red y de seguridad de la CMC
 - Los ajustes de redundancia y límite de energía
 - Los ajustes de red de iDRAC y de los conmutadores de E/S
 - El primer dispositivo de inicio de los módulos de alta densidad
 - La CMC comprobará la coherencia de la red Fabric de E/S entre los módulos de E/S y los módulos de alta densidad, y desactivará componentes del sistema, si procede, para proteger el hardware del sistema.
 - Seguridad de acceso de los usuarios.
 - Una ranura para tarjeta SD en la tarjeta CMC admite una función de WWN/MAC opcional persistente que permite la utilización de WWN/MAC basados en ranuras para los módulos de alta densidad, lo que simplifica su instalación y sustitución.

La CMC cuenta con dos puertos Ethernet. El puerto “Gb1” se utiliza para la conexión a la red de administración externa. El puerto “Stack” permite conectar secuencialmente CMC de alojamientos adyacentes. Un conmutador Ethernet de 24 puertos proporciona una comunicación interna a 100 Mb con los módulos de alta densidad, los módulos de E/S, un módulo iKVM opcional y una segunda CMC redundante opcional, y proporciona una conexión de 10/100/1000 Mb a la red de administración externa.



NOTA: El conmutador Ethernet de 24 puertos está reservado para la comunicación interna entre la iDRAC de los módulos de alta densidad y la CMC, y luego con la red de administración externa.

Se puede instalar una segunda CMC opcional para obtener redundancia de sustitución tras error de acoplamiento activo.

- Un panel de control del alojamiento que incluye una pantalla LCD que proporciona información actual sobre la infraestructura y los módulos de alta densidad, así como notificación de errores.
- Un módulo de teclado, vídeo y ratón integrados (iKVM) Avocent opcional, que presenta las características siguientes:
 - El iKVM mantiene todas las conexiones del módulo de alta densidad mientras se conmuta la entrada desde cada módulo de alta densidad.
 - El acceso a iKVM local se puede desactivar de forma remota para cada módulo de alta densidad a través de la interfaz de usuario de iDRAC.
 - Un conector VGA.
 - Dos puertos USB para las conexiones del teclado y del ratón.



NOTA: La funcionalidad USB está sujeta a la conexión de una interfaz de vídeo, como por ejemplo un cable de monitor.

- Un puerto ACI RJ-45 para la conexión en cascada con conmutadores externos KVM analógicos Dell y Avocent y conmutadores KVM sobre IP con puertos ARI. La conexión ACI tiene prioridad sobre los puertos KVM del panel posterior.
- También se puede acceder al iKVM desde el panel de control situado en la parte frontal del alojamiento. Se admite la función KVM frontal o posterior, pero no ambas simultáneamente.



NOTA: Cuando hay un intento de transmisión simultánea por los puertos iKVM frontal y posterior, el iKVM frontal se activa de manera predeterminada. El acceso al iKVM frontal se puede desactivar a través de la interfaz de usuario de la CMC.

Características del módulo de alta densidad

Características de rendimiento

PowerEdge M905

- Cuatro procesadores AMD™ Opteron™ serie 8000 de dos o cuatro núcleos.
- Un mínimo de 8 GB de módulos de memoria DDR2 a 677 MHz, ampliables a un máximo de 192 GB mediante la instalación de pares de módulos de 1 GB, 2 GB, 4 GB o 8 GB en los 24 zócalos de módulo de memoria de la placa base del módulo de alta densidad. El módulo de alta densidad también admite la sustitución de memoria si ocho o dieciséis zócalos de módulo de memoria están ocupados por módulos de memoria idénticos.
- Una ranura para tarjeta SD (Secure Digital) para la compatibilidad integrada con Hypervisor.

PowerEdge M805

- Dos procesadores AMD Opteron serie 2000 de dos o cuatro núcleos.
- Un mínimo de 4 GB de módulos de memoria DDR2 a 677 MHz, ampliables a un máximo de 128 GB mediante la instalación de pares de módulos de 1 GB, 2 GB, 4 GB o 8 GB en los 16 zócalos de módulo de memoria de la placa base del módulo de alta densidad. El módulo de alta densidad también admite la sustitución de memoria si ocho o dieciséis zócalos de módulo de memoria están ocupados por módulos de memoria idénticos.
- Una ranura para tarjeta SD para la compatibilidad integrada con Hypervisor.

PowerEdge M600

- Uno o dos procesadores Intel® Xeon® de dos o cuatro núcleos.
- Un mínimo de 1 GB de módulos de memoria FBD a 677 MHz, ampliables a un máximo de 64 GB mediante la instalación de pares de módulos de 512 MB, 1 GB, 2 GB, 4 GB o 8 GB en los ocho zócalos de módulo de memoria de la placa base del módulo de alta densidad. El módulo de alta densidad también admite la sustitución de memoria o la duplicación de memoria si los ocho zócalos de módulo de memoria están ocupados por módulos de memoria idénticos.

PowerEdge M605

- Uno o dos procesadores AMD Opteron serie 2000 de dos o cuatro núcleos.
- Un mínimo de 1 GB de módulos de memoria DDR2 a 677 o 800 MHz, ampliables a un máximo de 64 GB mediante la instalación de pares de módulos de 512 MB, 1 GB, 2 GB, 4 GB o 8 GB en los ocho zócalos de módulo de memoria de la placa base del módulo de alta densidad. El módulo de alta densidad también admite la sustitución de memoria.

Características comunes

- Los módulos de alta densidad PowerEdge M805 y M905 admiten una o dos unidades de disco duro SAS de 2,5 pulgadas.
- Los módulos de alta densidad PowerEdge M600 y M605 admiten una o dos unidades de disco duro SATA de 2,5 pulgadas *o bien* una o dos unidades de disco duro SAS de 2,5 pulgadas.



NOTA: Las unidades de disco duro SAS y SATA no pueden combinarse en un módulo de alta densidad.

Se admiten unidades de acoplamiento activo si hay una tarjeta controladora RAID opcional instalada en el módulo de alta densidad.

- Tres puertos compatibles con USB 2.0 (PowerEdge M805 y M905) o dos puertos compatibles con USB 2.0 (PowerEdge M605 y M600) que admiten dispositivos como un ratón, un teclado, una unidad flash, una unidad de disquete o una unidad óptica.



NOTA: Sólo se admiten dispositivos USB suministrados por Dell.

- Un subsistema de vídeo integrado compatible con VGA con una controladora de vídeo ATI RN50. Este subsistema de vídeo contiene 32 MB de memoria de vídeo SDRAM (no ampliable). La resolución máxima es de 1 280 x 1 024 con 65 000 colores (no entrelazados).
- Una controladora iDRAC (Integrated Dell Remote Access Controller), que proporciona administración remota del sistema, administración de energía del módulo de alta densidad, compatibilidad con KVM virtual y medios virtuales, sistema de alertas remoto y registro de eventos.
- Cuatro puertos Ethernet de 1 GB admitidos por dos controladoras Broadcom 5709S integradas de dos puertos (PowerEdge M805 y M905), o dos puertos Ethernet de 1 GB admitidos por dos controladoras Broadcom 5708S integradas (PowerEdge M600 y M605). Se admiten el motor de descarga TCP/IP (TOE) y el inicio iSCSI.

Para una lista completa de características del sistema, consulte “Especificaciones técnicas” en la página 82.

Con el sistema se incluye el software siguiente:

- Un programa de configuración del sistema para ver y cambiar rápidamente información de configuración del sistema. Para obtener más información sobre este programa, consulte “Uso del programa de configuración del sistema” en el *Manual del propietario del hardware*.
- Funciones de seguridad mejoradas, como una contraseña del sistema y una contraseña de configuración, disponibles a través del programa de configuración del sistema.
- Diagnósticos del sistema para evaluar los componentes del sistema y los dispositivos. Para obtener información sobre los diagnósticos del sistema, consulte “Ejecución de los diagnósticos del sistema” en el *Manual del propietario del hardware*.
- Controladores de vídeo para visualizar los programas de aplicación más conocidos en modos de alta resolución.

- Software y documentación de administración de sistemas. El software de administración de sistemas se utiliza para administrar y supervisar los módulos de alta densidad individualmente, así como el sistema en su totalidad, incluidos todos los módulos de alta densidad, módulos de conmutador de red, fuentes de alimentación y ventiladores. El software de administración de sistemas administra el sistema de forma local y remota en una red. Dell recomienda utilizar el software de administración de sistemas que se incluye con este sistema.
- Software de soluciones opcional para alojamiento web, almacenamiento en caché o equilibrio de carga. Consulte la documentación del software de soluciones para obtener más información.

Sistemas operativos admitidos

- Microsoft® Windows Server™ 2003 Web, Standard y Enterprise (x86 de 32 bits) Edition con SP2
- Microsoft Windows Server 2003 Standard, Enterprise y DataCenter (x64) Edition con SP1 y SP2
- Microsoft Windows Server 2003 R2 Standard y Enterprise (x86 de 32 bits) Edition con SP1 y SP2
- Microsoft Windows Server 2003 R2 Standard, Enterprise y DataCenter (x64) Edition con SP1 y SP2
- Microsoft Windows Server 2008 Standard Edition con SP1, SP2, DataCenter y EM64T
- Red Hat® Enterprise Linux® AS, ES y WS (versión 4) y EM64T
- Red Hat Enterprise Linux AS y ES (versión 4) (ia32)
- Red Hat Enterprise Linux Server AS y ES (versión 5) (ia32)
- Red Hat Enterprise Linux Server AS, ES y WS (versión 5) y EM64T
- SUSE® Linux Enterprise Server 9 (x86_64) con SP3 y EM64T
- SUSE Linux Enterprise Server 10 (x86_64) y EM64T
- VMWare® ESX 3.1
- VMWare ESX 3.5

Otra información útil



PRECAUCIÓN: Consulte la información sobre normativas y seguridad suministrada con el sistema. La información sobre la garantía puede estar incluida en este documento o constar en un documento aparte.

- La *Guía de configuración* proporciona información sobre cómo configurar el alojamiento del sistema y los módulos de alta densidad.
- En los documentos *Guía de instalación del rack* o *Instrucciones de instalación del rack*, incluidos con el rack, se describe cómo instalar el sistema en un rack.
- En el *Manual del propietario del hardware* se proporciona información sobre las características del sistema y se describe cómo solucionar problemas del sistema e instalar o sustituir componentes. Este documento puede encontrarse en los CD incluidos con el sistema o en support.dell.com.
- En la publicación *Dell Chassis Management Controller User's Guide* (Guía del usuario de la controladora de administración del chasis de Dell) se proporciona información detallada sobre el uso de las funciones de administración remota del sistema.
- Los CD o DVD que se suministran con el sistema proporcionan documentación y herramientas para configurar y administrar el sistema.
- En la documentación del software de administración de sistemas se describen las funciones, los requisitos, la instalación y el funcionamiento básico del software.
- En la documentación del sistema operativo se describe cómo instalar (si es necesario), configurar y utilizar el software del sistema operativo.
- En la documentación de los componentes adquiridos por separado se incluye información para configurar e instalar las opciones correspondientes.


- Algunas veces, con el sistema se incluyen actualizaciones que describen los cambios realizados en el sistema, en el software o en la documentación.
 - ✍ **NOTA:** Compruebe si hay actualizaciones en support.dell.com y, si las hay, léalas antes de proceder a la instalación, puesto que a menudo sustituyen la información contenida en otros documentos.
- Es posible que se incluyan notas de la versión o archivos Léame para proporcionar actualizaciones de última hora relativas al sistema o a la documentación, o material de consulta técnica avanzada destinado a técnicos o usuarios experimentados.

Obtención de asistencia técnica

Si no comprende algún procedimiento descrito en esta guía o si el sistema no funciona del modo esperado, consulte el *Manual del propietario del hardware*.

Tiene a su disposición el servicio de formación y certificación Dell para empresas. Para obtener más información, visite www.dell.com/training. Es posible que este servicio no se ofrezca en todas las regiones.

Instalación y configuración

 **PRECAUCIÓN:** Antes de realizar el procedimiento siguiente, lea y siga las instrucciones de seguridad y la información importante sobre normativas incluidas con el sistema. Para obtener información adicional sobre prácticas recomendadas de seguridad, visite www.dell.com/regulatory_compliance.

En esta sección se describen los pasos necesarios para configurar el sistema por primera vez.

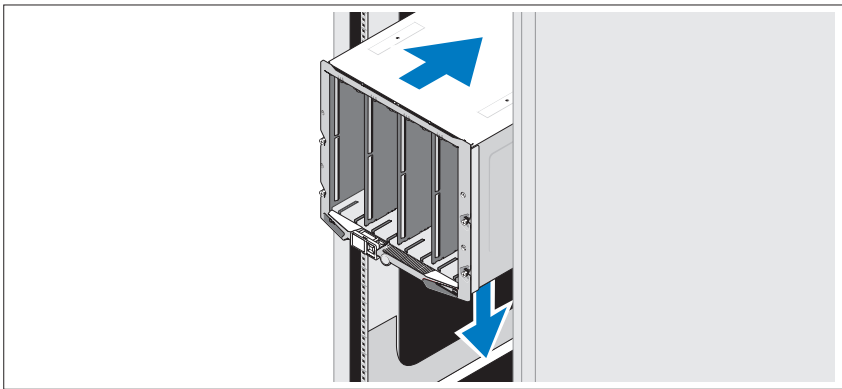
Desembalaje del sistema

Desembale el sistema e identifique cada elemento. Guarde el material de embalaje por si lo necesita más adelante.

Instalación del sistema en un rack

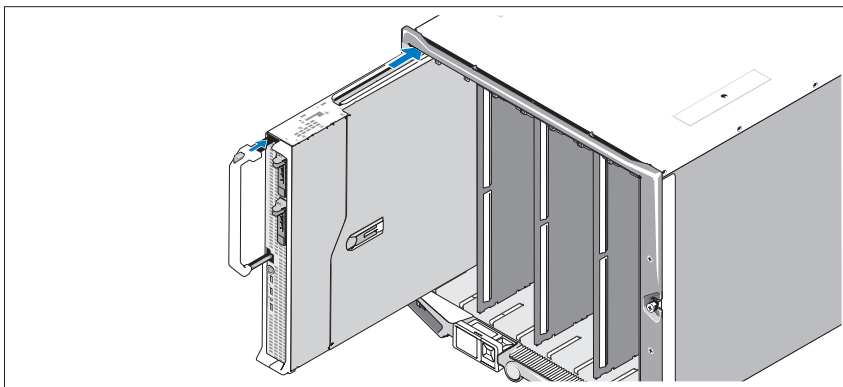
Después de leer las instrucciones de seguridad incluidas en la documentación del sistema relativa a la instalación del rack, instale el sistema en el rack.

Consulte la documentación de instalación del rack para obtener instrucciones sobre la instalación del sistema en un rack. Para obtener pautas sobre alimentación y refrigeración, consulte información sobre la herramienta de planificación de la capacidad del rack (rack capacity planner) en www.dell.com.



Instalación de los módulos de alta densidad

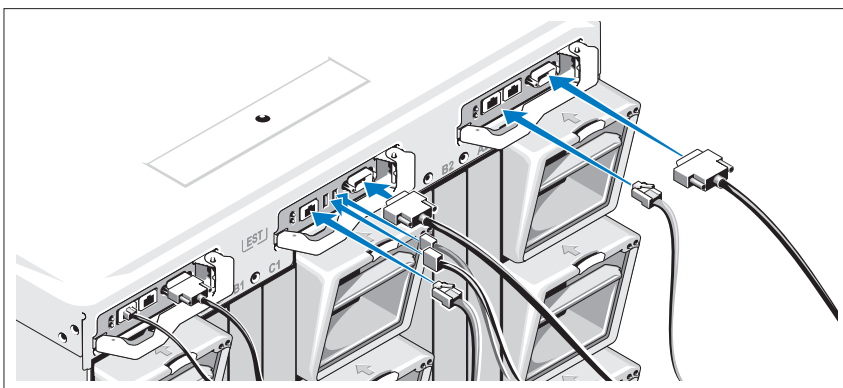
Empezando por la parte superior, inserte los módulos en el alojamiento de izquierda a derecha. Una vez que el módulo de alta densidad esté bien instalado, el asa volverá a la posición de cierre.



Conexión de los módulos CMC y KVM

Conecte el cable serie y el cable de red del sistema de administración al módulo CMC. Si va a instalar un segundo módulo CMC opcional, conéctelo también. Si con el chasis se incluyen módulos de alta densidad M805 o M905 preinstalados, la versión del firmware de la CMC será 1.2 o superior.

Conecte el teclado, el ratón y el monitor al módulo iKVM opcional.

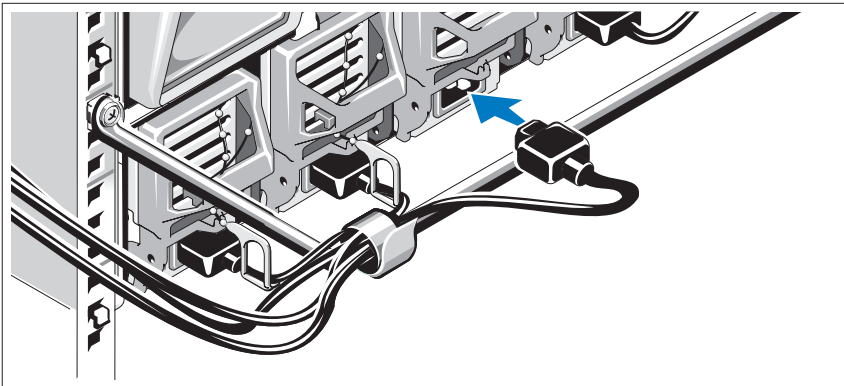


Conexión del sistema a la alimentación

Conecte los cables de alimentación del sistema a las fuentes de alimentación.

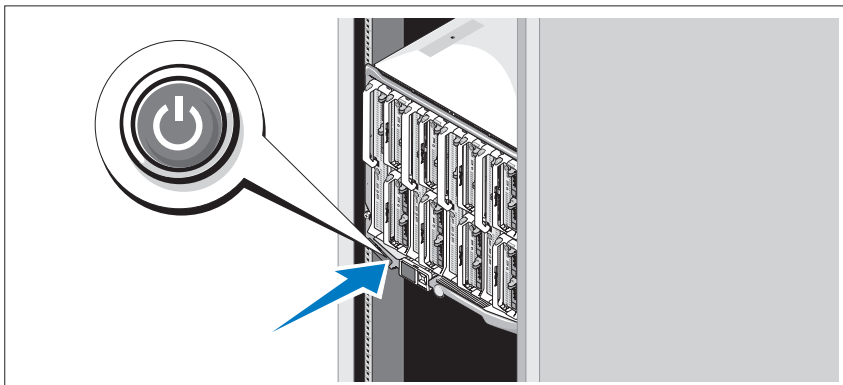
- ➔ **AVISO:** Para evitar que los cables de alimentación se desconecten accidentalmente, utilice el gancho de plástico de cada fuente de alimentación para fijar el cable a la fuente de alimentación, y utilice la tira de velcro para fijar el cable a la barra liberadora de tensión.

A continuación, conecte el otro extremo de los cables de alimentación a una fuente de energía distinta, como por ejemplo un sistema de alimentación ininterrumpida (SAI) o una unidad de distribución de alimentación (PDU).



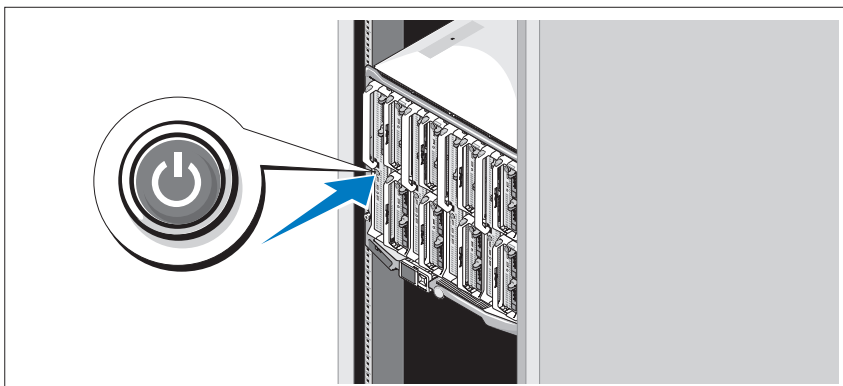
Encendido del sistema

Presione el botón de encendido del alojamiento. El indicador de alimentación debería encenderse.



Encendido de los módulos de alta densidad

Presione el botón de encendido de cada módulo de alta densidad o encienda los módulos mediante el software de administración de sistemas.



Finalización de la configuración del sistema operativo

Si ha adquirido un sistema operativo preinstalado, consulte la documentación del sistema operativo que se suministra con el sistema. Para instalar un sistema operativo por primera vez, consulte la Guía de instalación rápida. Asegúrese de que el sistema operativo está instalado antes de instalar hardware o software no adquirido con el sistema.

Especificaciones técnicas

Especificaciones del módulo de alta densidad

Procesador

Tipo de procesador

PowerEdge M905	Cuatro procesadores AMD Opteron serie 8000 de dos o cuatro núcleos
PowerEdge M805	Dos procesadores AMD Opteron serie 2000 de dos o cuatro núcleos
PowerEdge M600	Uno o dos procesadores Intel Xeon de dos o cuatro núcleos
PowerEdge M605	Uno o dos procesadores AMD Opteron serie 2000 de dos o cuatro núcleos

Memoria

Arquitectura

PowerEdge M600	Módulos de memoria FB-DIMM clasificados para funcionar a 677 MHz
PowerEdge M905, M805 y M605	Módulos de memoria DDR2 clasificados para funcionar a 677 MHz

Zócalos de módulo de memoria

PowerEdge M905	24 zócalos de 240 patas
PowerEdge M805	16 zócalos de 240 patas
PowerEdge M605 y M600	Ocho zócalos de 240 patas

Memoria (continuación)

Capacidades del módulo de memoria	512 MB (PowerEdge M605 y M600), 1 GB, 2 GB, 4 GB u 8 GB
RAM mínima	Dos módulos de memoria por procesador
PowerEdge M905	8 GB (ocho módulos de memoria de 1 GB)
PowerEdge M805	4 GB (cuatro módulos de memoria de 1 GB)
PowerEdge M600 y M605	1 GB (dos módulos de memoria de 512 MB)
RAM máxima	
PowerEdge M905	192 GB
PowerEdge M805	128 GB
PowerEdge M600 y M605	64 GB

Unidades

Unidades de disco duro

PowerEdge M805 y M905	Una o dos unidades de disco duro SAS de 2,5 pulgadas
PowerEdge M600 y M605	
Configuración SATA	Una o dos unidades de disco duro SATA de 2,5 pulgadas
Configuración SAS	Una o dos unidades de disco duro SAS de 2,5 pulgadas

NOTA: Las unidades de disco duro SAS y SATA no pueden combinarse en un módulo de alta densidad M600 o M605.

Conectores

Externos**USB**

PowerEdge M805 y M905 Tres de 4 patas compatibles con USB 2.0

PowerEdge M600 y M605 Dos de 4 patas compatibles con USB 2.0

Internos

Tarjeta SD (PowerEdge M805 y M905) Un conector para tarjetas SD

Controladoras Ethernet

Conjunto de chips

PowerEdge M805 y M905 Cuatro puertos Ethernet con compatibilidad con TOE e inicio iSCSI a través de dos controladoras Ethernet Broadcom 5709S integradas de dos puertos

PowerEdge M600 y M605 Dos puertos Ethernet con compatibilidad con TOE e inicio iSCSI a través de dos controladoras Broadcom 5708S integradas

Controladora de vídeo

Tipo de vídeo Controladora de vídeo ATI RN50

Memoria de vídeo 32 MB

Características físicas

PowerEdge M905 y M805

Altura 38,5 cm

Anchura 5 cm

Profundidad 48,6 cm

Peso (configuración máxima) 11,1 kg

PowerEdge M605 y M600

Altura 18,9 cm

Anchura 5 cm

Características físicas (continuación)

Profundidad	48,6 cm
Peso (configuración máxima)	De 5,2 a 6,4 kg

Batería

Batería del módulo de alta densidad	Batería de tipo botón litio-ion CR2032 de 3 V
-------------------------------------	---

Especificaciones del alojamiento del sistema

Características físicas

Altura	44,0 cm
Anchura	44,7 cm
Profundidad	75,5 cm
Peso (configuración máxima)	178,3 kg
Peso (vacío)	44,6 kg

Módulo de fuente de alimentación

Fuente de alimentación de CA/CC (por fuente de alimentación)

Potencia	2 360 W
Conector	Enchufe hembra NEMA C20
Disipación de calor	1 205 BTU/h (353 W) como máximo
Corriente de conexión máxima	En condiciones normales de línea y en todo el ambiente del rango operativo del sistema, la corriente de la conexión puede alcanzar los 55 A por cada fuente de alimentación durante 10 ms o menos
Requisitos de voltaje del sistema	200-240 V, 16 A, trifásico, 50/60 Hz 200-240 V, 40,5 A, monofásico, 50/60 Hz

Módulo iKVM Avocent opcional

Conectores posteriores de acceso externo

USB	Dos conectores de 4 patas compatibles con USB 2.0 para el teclado y el ratón
Puerto ACI	RJ-45
Vídeo	VGA de 15 patas

Módulo de controladora de administración del chasis

Conectores de acceso externo

Administración remota	Dos puertos RJ-45 10/100/1000 Mb dedicados para una controladora de acceso remoto Ethernet integrada
Serie	9 patas, DTE, compatible con 16550
Vídeo	VGA de 15 patas
Batería	Batería de tipo botón litio-ion CR2032 de 3 V
Tarjeta SD	Una ranura de memoria para tarjeta flash SD (Secure Digital) interna dedicada para compatibilidad con FlexAddress

Panel de control del alojamiento

Conectores de acceso externo

USB	
PowerEdge M905 y M805	Tres conectores de 4 patas compatibles con USB 2.0 para el teclado y el ratón
PowerEdge M605 y M600	Dos conectores de 4 patas compatibles con USB 2.0 para el teclado y el ratón
Vídeo	VGA de 15 patas

Panel de navegación

Características	Cuatro teclas de control del cursor, una tecla de selección, pantalla LCD
-----------------	---

Especificaciones del módulo de E/S

Módulo de conmutador Ethernet PowerConnect M6220

Conectores de acceso externo

Ethernet 10/100/1000 Mbps	Cuatro puertos RJ-45 de negociación automática
Serie	Un conector A de tipo USB 2.0 de 4 patas. Para la conexión al terminal, se debe utilizar un adaptador de A de tipo USB a DB9.
Módulos opcionales	Dos compartimientos opcionales. Cada compartimiento admite un módulo con dos puertos de apilamiento de 24 Gb, dos enlaces ascendentes de cobre CX4 de 10 Gb o dos XFP ópticos de 10 Gb.

Módulo de conmutador Infiniband Cisco M7000E

Conectores de acceso externo	Ocho puertos de enlace ascendente Infiniband DDR
------------------------------	--

Módulo de paso a través Ethernet Gb

Conectores de acceso externo	16 puertos Ethernet RJ-45
------------------------------	---------------------------

Módulo de paso a través Fibre Channel

Conectores de acceso externo

Transceptor Fibre Channel	16 puertos SFP externos que admiten velocidades FC de 1/2/4 Gbps
---------------------------	--

Módulo de conmutador Fibre Channel Brocade

Conectores de acceso externo

Fibre Channel	Ocho puertos FC físicos (cuatro activados de manera predeterminada, actualizables a ocho) que admiten conexiones Fibre Channel a 1/2/4 Gbps
Puerto serie	RJ-45

Especificaciones ambientales

NOTA: Para obtener información adicional sobre medidas ambientales relativas a configuraciones de sistema específicas, vaya a dell.com/environmental_datasheets. El sistema no se debe usar en un entorno de oficina.

Temperatura

En funcionamiento	De 10 a 35 °C NOTA: Por encima de los 900 m, la temperatura máxima se reduce en 1 °C por cada 300 m.
En almacenamiento	De -40 a 65 °C

Humedad relativa

En funcionamiento	Del 8 al 85% (sin condensación) con una gradación de humedad máxima del 10% por hora
En almacenamiento	Del 5 al 95% (sin condensación)

Vibración máxima

En funcionamiento	0,26 Grms a 10–350 Hz durante 15 minutos
En almacenamiento	1,54 Grms a 10–250 Hz durante 15 minutos

Impacto máximo

En funcionamiento	Un choque en el sentido positivo del eje z de 31 G durante un máximo de 2,6 ms
En almacenamiento	
PowerEdge M905 y M805	Seis choques ejecutados consecutivamente en los ejes x, y y z positivo y negativo de 71 G durante un máximo de 2 ms
PowerEdge M605 y M600	Seis choques ejecutados consecutivamente en los ejes x, y y z positivo y negativo de 71 G durante un máximo de 2 ms

Altitud

En funcionamiento	De -16 a 3 048 m
En almacenamiento	De -16 a 10 600 m